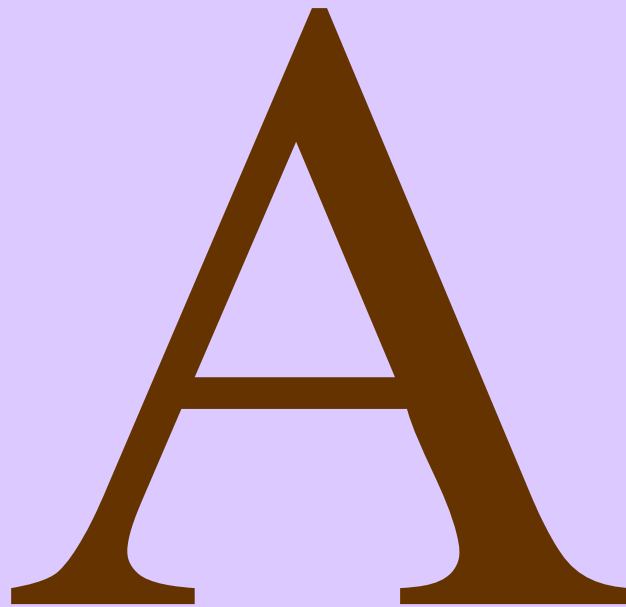


# AMERISIS LIGHTING



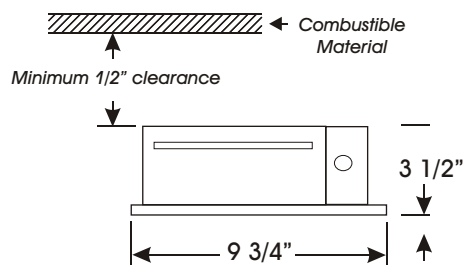
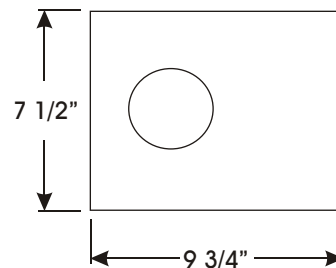
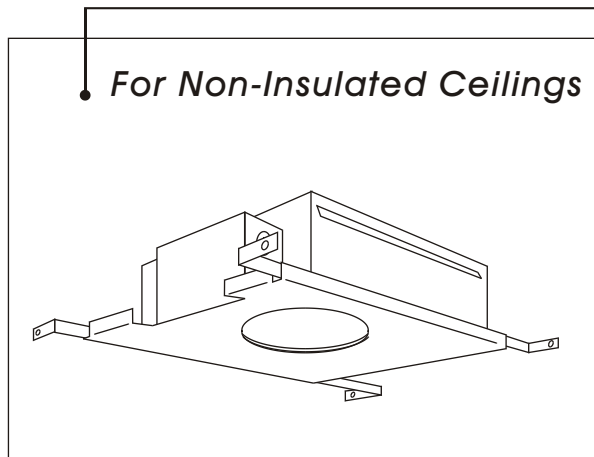
A·mer·i·sis [ ə-mĕr'ĭ-sĭs ]: noun

**Living Shangri la**  
**Level 6**  
**May 2007**



TYPE	DESCRIPTION	LOCATION	QTY LAMP	LAMP
L6-1	DASAL 2-020F-120	THROUGHOUT	0	N/A
L6-1	DASAL 2-120-01 SA	THROUGHOUT	1	50MR16 FL 10,000HR
L6-1A	DASAL 2-020F-120	THROUGHOUT	0	N/A
L6-1A	DASAL2-195-01 PIVOT	THROUGHOUT	1	50MR16 FL 10,000HR
L6-2	DASAL 2-020F-120	THROUGHOUT	0	N/A
L6-2	DASAL 2-195-01 PIVOT	THROUGHOUT	1	50MR16 FL 10,000HR
L6-2A	DASAL 2-020F-120	THROUGHOUT	0	N/A
L6-2A	DASAL2-185-01 PICOLO	THROUGHOUT	1	50MR16 FL 10,000HR
L6-3	COLD CATHODE 11' DIAMETER	CIRCULAR COVE	1	2700K COLD CATHODE INCL
L6-4	7' DIAMETER CUSTOM CHANDELIER	CIRCULAR COVE		10W BI PIN
L6-5	INTENSE IVT101 ST TR PFL1 INTERNAL TRANSFORMER	EXTERIOR CANOPIES	1	50MR16 FL 10,000HR
L6-6	INTENSE IVT101 ST TR PFL1 INTERNAL TRANSFORMER	TREE UPLIGHTS	1	50MR16 FL 10,000HR
L6-7	COLD CATHODE TNP SERIES 42" X 25'	ELEVATOR LOBBY	1	2700K COLD CATHODE INCL
L6-8	COLD CATHODE ELECTRONIC CLS STRIP 5'	NORTH CORRIDOR	1	2700K COLD CATHODE INCL
L6-9	LIGHTOLIER 1002/1046CL	FUNCTION RM 4	1	75A19
L6-10	LIGHTOLIER CLEANGUARD CXS2WFAV332120SO	SERVICE KITCHEN	4	F32T8 RESTAURANT
L6-11	BL LIGHTING LSL4A-CL-5W 3" SPACING	ELEVATOR LOBBIES		5W XENON FESTOON
L6-12	CUSTOM CHANDELIER (5X5)	FUNCTION ROOM 3		10W BI PIN
L6-13	CUSTOM CHANDELIER (6X6)	FUNCTION ROOM 1		10W BI PIN
L6-14	CUSTOM CHANDELIER (42"X10'6")	FUNCTION ROOM 2		10W BI PIN
L6-15	COLD CATHODE (16X17)	FUNCTION ROOM 4	1	2700K COLD CATHODE INCL
L6-15A	COLD CATHODE TNP (15X15)	FUNCTION ROOM 3	1	2700K COLD CATHODE INCL
L6-16	COLD CATHODE TNP (39'X15')	FUNCTION ROOM 1	1	2700K COLD CATHODE INCL
L6-18	LIGHTOLIER SV4S228 T5 LENGTH TO SUIT	LADIES BATHROOM	1	2700K 28WT5
L6-19	ELECTRIC MIRROR C/W INTEGRAL LIGHT STRIPS	LADIES BATHROOM	2	TBA
L6-21	BL LIGHTING FESTOON LAMPS 5WATTS 3" OC	THEATRE /FUNCTION	0	HALOGEN
L6-23	COLD CATHODE CLS SERIES 2700K DIMMABLE 18'	THEATRE	1	2700K COLD CATHODE INCL
L6-24	LIGHTOLIER 1102TH1/1105TCL	A/V CORRIDOR	2	PL13 /35 (Gx23)
FD	CFI SB248T-120-04	BACK OF HOUSE	2	F32 T8 3500K
FE	CFI SB248 120 SO	BACK OF HOUSE	2	F32 T8 3500K
A	RUSSELL CF381-111/2 HPF	BACK OF HOUSE	2	PL13 /35 (Gx23)
FC	CFI TX248-120SO	BACK OF HOUSE	2	F32T8 3500K

### 2-020-F Frame In Kit



### SPECIFICATIONS

- Housing:** **Rated Non I/C.** The Rite Light II 2-020-F Frame- In Kit offers a unique design allowing installations of very shallow plenums as low as 4". Baseplate 20ga.C.R.S. with black powder coat paint finish. Baseplate is designed for bi-directional mounting of hanger bars. 16" Hanger bars supplied as standard.
- J-Box:** 18ga. Galvanized steel. 5 K.O. around J-Box to allow for easy wire entry. Approved for branch circuit wiring.
- Thermal Protection:** All frame-in kits have overload protection for over lamping.
- Transformer:** Transformer is rated at **50 Watt**. Magnetic core and coil with copper windings, Class H Rating (180°C). **120V, 277V, 347V Primary available.** Transformer is accessed through ceiling opening.
- Lamp/Socket:** Low Voltage MR-16, 12V, **50W Max** (lamp by others). Shipped standard with all trims is a glass lens (all other lenses are sold as accessories). Cover Glass Lamp is not required. Porcelain Bi-Pin socket type GX5.3
- Guarantee:** DaSal Industries warrants all equipment to be free from defect in manufacturing, under normal and proper storage, installation and use, for a period of one (1) year and Five (5) years on all magnetic transformers.
- Weight:** Rough - In approx. 3.69 Lbs (approx. 1.67 Kg)

#### Trims to be used with 2-020-F Frame - In Kit

- Aurora
  - Eclipse
  - Demi
  - Siris
  - Pin Hole
  - Picolo
  - Key Hole
  - Pivot
  - Split
  - Coral
  - Sunburst
  - Conus
  - Slice Accessories
  - NEW** Star Lite (see T16A Spec sheet)
- See individual specification sheets for details on trims

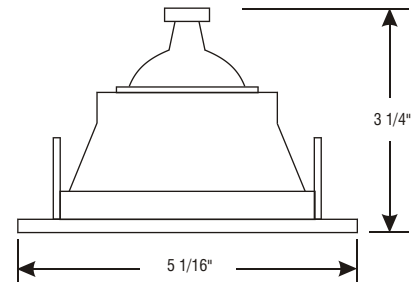
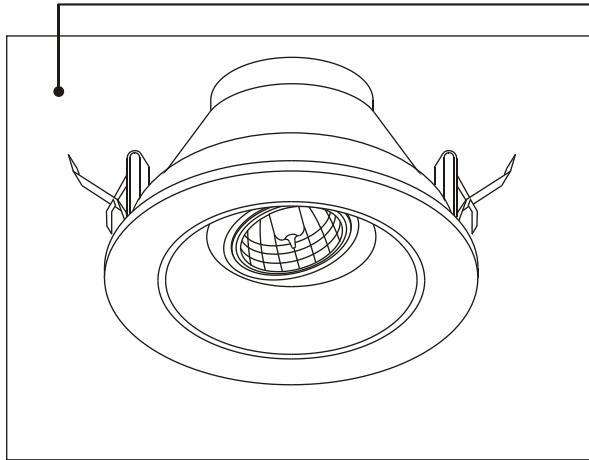
### Order Guide

2-020-F HOUSING	120 VOLTAGE	BPHI
2-020-F (Max 50 Watts)	120	Black Painted Housing Interior
	277	
	347	

**TYPE**

Amerisis Lighting Corp.  
 Project : Living Shangri la, Level 6  
 Type : L6-1  
 Desc : Dasal 2-020-F-120  
 Lamp : See trim detail  
 Location Through out

### Aurora (MR 16 Trim)



## SPECIFICATIONS

The Aurora is the most widely used trim in the Rite Light II collection. All Aurora trims are **fully adjustable (up to 35°)** and offer performance, versatility, and excellent brightness control in a small aperture. All trim rings are made of die cast aluminum and are powder coat painted or plated. The collection includes milligroove baffles, silver, gold, black specular, champagne and satin reflectors. The series also offers decorative colour specular finishes to match any decor including copper, blue, green and purple.

The Aurora collection is ideal for lobbies, conference rooms, corridors, hotels, restaurants, retail spaces, music halls, offices, and residences. **See spec sheet T11A for Slice Decorative accessories.**

## Order Guide

### 2-120

HOUSING	VOLTAGE	TYPE	TRIM RING	REFLECTOR COLOUR	FINISH
No Housing (Max 20 Watts) <sup>1</sup>	120	2-120 - Aurora	01 - White	SA - Silver Specular <sup>2</sup>	S - Satin
2-010-I/C (Max 50 W)	277		02 - Chrome	GA - Gold Specular <sup>2</sup>	
2-010-I/C-A/T (Max 50 W)	347		04 - Black	BA - Black Specular	
2-020-F (Max 50 W)			05 - Matte Silver	COPA - Copper Specular <sup>2</sup>	
2-030-R (Max 50 W)			09 - Gold	BLUA - Blue Specular <sup>2</sup>	
2-060-F (Max 75 W)			11 - Matte Nickel	GRNA - Green Specular <sup>2</sup>	
			19 - Brushed Brass	PURA - Purple Specular <sup>2</sup>	
				CHA - Champagne Specular <sup>2</sup>	
				WHS - White stepped Baffle	
				BLS - Black Stepped Baffle	
				NIC-S - Nickel Satin <sup>3</sup>	

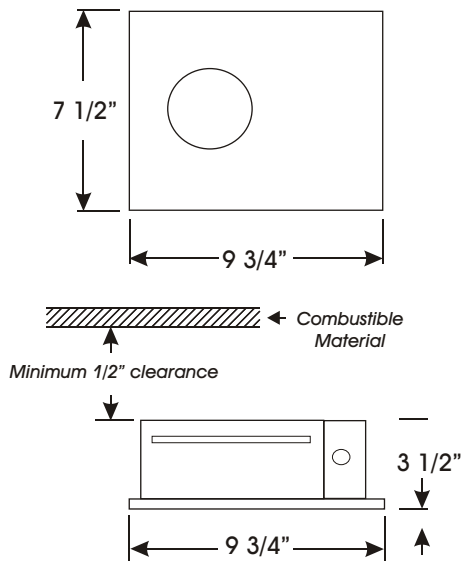
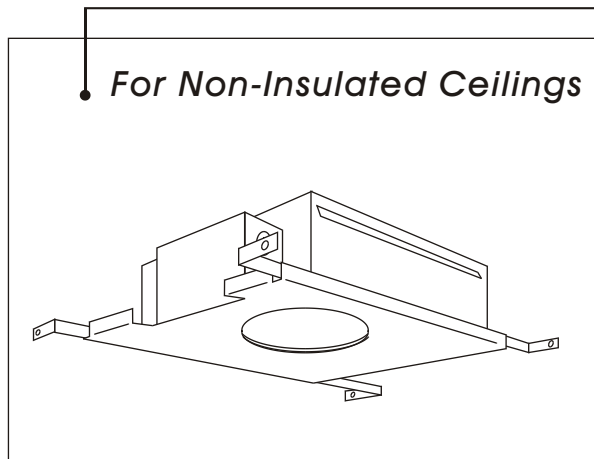
**Note:**

- 1) Trim Only indicates use with a remote Class 2 transformer. Transformer and R12S socket sold separately. Hole Cut out size 4 1/2"
- 2) These reflectors are available in Satin finishes
- 3) Only available as Satin versions



Amerisis Lighting Corp.  
 Project : Living Shangri la, Level 6  
 Type : L6-1  
 Desc : Dasal 2-120-01 SA  
 Lamp : 1 X 50 MR16 /FL 10,000 HR  
 Location Through out

### 2-020-F Frame In Kit



### SPECIFICATIONS

- Housing:** **Rated Non I/C.** The Rite Light II 2-020-F Frame- In Kit offers a unique design allowing installations of very shallow plenums as low as 4". Baseplate 20ga.C.R.S. with black powder coat paint finish. Baseplate is designed for bi-directional mounting of hanger bars. 16" Hanger bars supplied as standard.
- J-Box:** 18ga. Galvanized steel. 5 K.O. around J-Box to allow for easy wire entry. Approved for branch circuit wiring.
- Thermal Protection:** All frame-in kits have overload protection for over lamping.
- Transformer:** Transformer is rated at **50 Watt**. Magnetic core and coil with copper windings, Class H Rating (180°C). **120V, 277V, 347V Primary available.** Transformer is accessed through ceiling opening.
- Lamp/Socket:** Low Voltage MR-16, 12V, **50W Max** (lamp by others). Shipped standard with all trims is a glass lens (all other lenses are sold as accessories). Cover Glass Lamp is not required. Porcelain Bi-Pin socket type GX5.3
- Guarantee:** DaSal Industries warrants all equipment to be free from defect in manufacturing, under normal and proper storage, installation and use, for a period of one (1) year and Five (5) years on all magnetic transformers.
- Weight:** Rough - In approx. 3.69 Lbs (approx. 1.67 Kg)

### Trims to be used with 2-020-F Frame - In Kit

- Aurora
  - Eclipse
  - Demi
  - Siris
  - Pin Hole
  - Picolo
  - Key Hole
  - Pivot
  - Split
  - Coral
  - Sunburst
  - Conus
  - Slice Accessories
  - Star Lite (see T16A Spec sheet)
- See individual specification sheets for details on trims

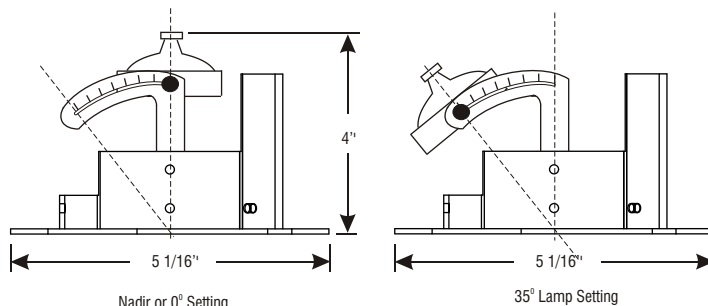
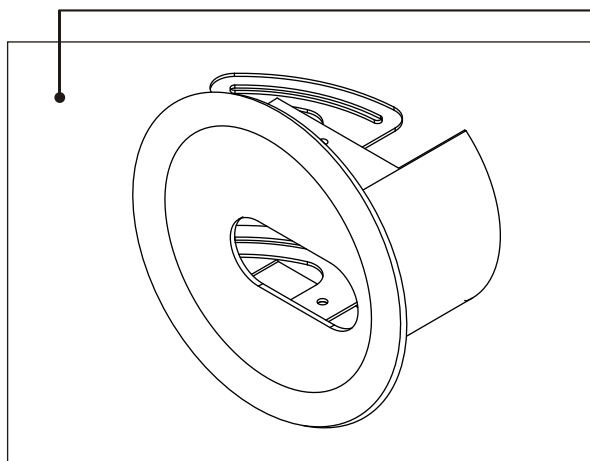
### Order Guide

2-020-F	120	BPHI
HOUSING	VOLTAGE	BPHI
2-020-F	120	Black Painted Housing Interior
(Max 50 Watts)	277	
	347	

Amerisis Lighting Corp.  
 Project : Living Shangri la, Level 6  
 Type : L6-1A  
 Desc : Dasal 2-020-F-120  
 Lamp : See trim detail  
 Location Through out

Data and specifications subject to change without notice

### Pivot (MR 16 Trim)



### SPECIFICATIONS

The new Pivot trim provides the ideal solution for highlighting wall mounted objects or for grazing textured walls. This ultra regressed Pivot trim offers downlighting through a 1" wide oval slot. The lamp is positioned for maximum light output. The trim can be rotated 359°. The lamp is vertically adjustable up to 35°, and has locking capabilities utilizing thumb screws. The luminaire is indexed so that aiming angle can be selected and locked. This assures permanent positioning when relamping. The internal housing components are painted matte black. The trim is tapered at the opening to minimize any flash. Accommodates up to 2 lenses and a snoot if necessary.

Ideal for highlighting wall mounted objects in homes, stores, museums, offices, restaurants, showrooms or any hospitality application.

### Order Guide

HOUSING	VOLTAGE	TYPE	FINISH	OPTION
No Housing (Max 20 Watts) <sup>1</sup>	120	2 -195 - Pivot	01 - White	ST - Snoot
2-010-I/C (Max 50 W)	277		04 - Black	
2-010-I/C-A/T (Max 50 W)	347		05 - Matte Silver	
2-020-F (Max 50 W)			11 - Matte Nickel	
2-030-R (Max 50 W)				
2-060-F (Max 75 W)				

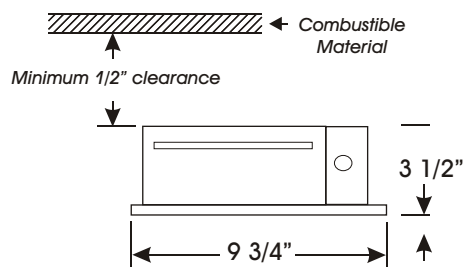
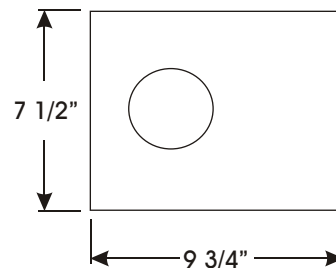
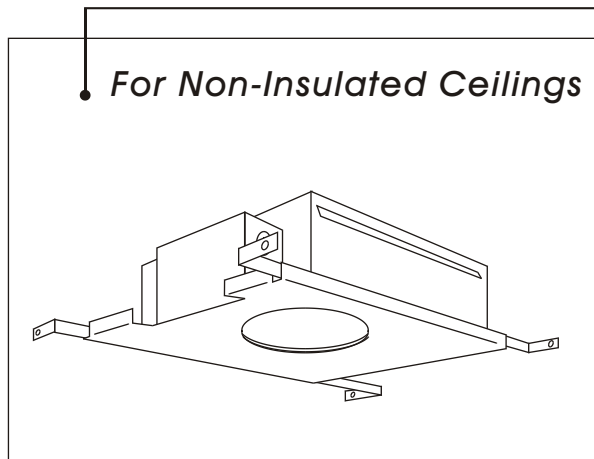
**Note:**

- 1) Trim Only indicates use with a remote Class 2 transformer. Transformer and R12S socket sold separately. Hole Cut out size 4 1/2"



Amerisis Lighting Corp.  
 Project : Living Shangri la, Level 6  
 Type : L6-1A  
 Desc : Dasal 2-195-01  
 Lamp : 1 X 50 MR16 /FL 10,000 HR  
 Location Through out

### 2-020-F Frame In Kit



### SPECIFICATIONS

- Housing:** **Rated Non I/C.** The Rite Light II 2-020-F Frame- In Kit offers a unique design allowing installations of very shallow plenums as low as 4". Baseplate 20ga.C.R.S. with black powder coat paint finish. Baseplate is designed for bi-directional mounting of hanger bars. 16" Hanger bars supplied as standard.
- J-Box:** 18ga. Galvanized steel. 5 K.O. around J-Box to allow for easy wire entry. Approved for branch circuit wiring.
- Thermal Protection:** All frame-in kits have overload protection for over lamping.
- Transformer:** Transformer is rated at **50 Watt**. Magnetic core and coil with copper windings, Class H Rating (180°C). **120V, 277V, 347V Primary available.** Transformer is accessed through ceiling opening.
- Lamp/Socket:** Low Voltage MR-16, 12V, **50W Max** (lamp by others). Shipped standard with all trims is a glass lens (all other lenses are sold as accessories). Cover Glass Lamp is not required. Porcelain Bi-Pin socket type GX5.3
- Guarantee:** DaSal Industries warrants all equipment to be free from defect in manufacturing, under normal and proper storage, installation and use, for a period of one (1) year and Five (5) years on all magnetic transformers.
- Weight:** Rough - In approx. 3.69 Lbs (approx. 1.67 Kg)

#### Trims to be used with 2-020-F Frame - In Kit

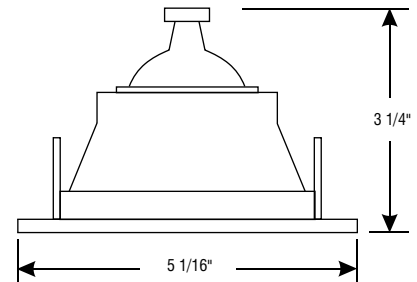
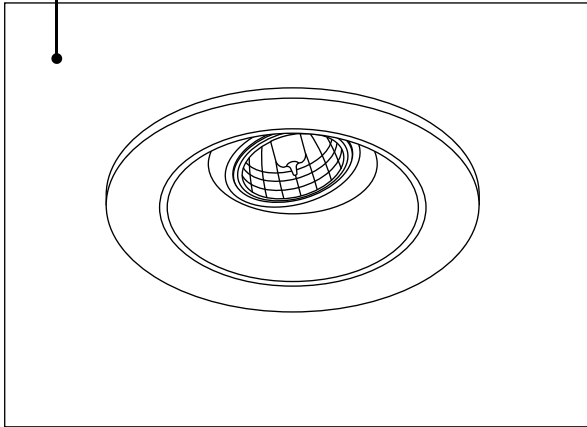
- Aurora
  - Eclipse
  - Demi
  - Siris
  - Pin Hole
  - Picolo
  - Key Hole
  - Pivot
  - Split
  - Coral
  - Sunburst
  - Conus
  - Slice Accessories
  - NEW** Star Lite (see T16A Spec sheet)
- See individual specification sheets for details on trims

### Order Guide

2-020-F	120	BPHI
HOUSING	VOLTAGE	BPHI
2-020-F	120	Black Painted Housing Interior
(Max 50 Watts)	277	
	347	

Amerisis Lighting Corp.  
 Project : Living Shangri la, Level 6  
 Type : L6-2  
 Desc : Dasal 2-020-F-120  
 Lamp : See trim detail  
 Location Through out

## Aurora (MR 16 Trim)



## SPECIFICATIONS

All Aurora trims are adjustable (up to 35 degrees) and offer performance, versatility, and excellent brightness control in a small aperture. All trim rings are made of die cast aluminum and are powder coat painted or plated. The collection includes grooved baffles, silver, gold, black specular, champagne and satin reflectors. The series also offers decorative color specular finishes matching any decor including copper, blue, green and purple.

Designed for non cover glass MR16 lamp, can accommodate up to 2 lens accessories. Ships standard with clear glass lens.

The Aurora collection is ideal for lobbies, conference rooms, corridors, hotels, restaurants, retail spaces, music halls, offices, and residences.

See Slice Decorative accessories specification sheet for more details.

## Order Guide

HOUSING	VOLTAGE	TYPE	TRIM RING	REFLECTOR COLOUR	FINISH
No Housing (Max 20 Watts) <sup>1</sup>	120	2-120 - Aurora	01 - White	SA - Silver Specular <sup>2</sup>	S- Satin
2-010-I/C (Max 50 W)	277		02 - Chrome	GA - Gold Specular <sup>2</sup>	
2-010-I/C-A/T (Max 50 W)	347		04 - Black	BA - Black Specular	
2-020-F (Max 50 W)			05 - Matte Silver	COPA - Copper Specular <sup>2</sup>	
2-030-R (Max 50 W)			09 - Gold	BLUA - Blue Specular <sup>2</sup>	
2-060-F (Max 75 W)			11 - Matte Nickel	GRNA - Green Specular <sup>2</sup>	
				PURA - Purple Specular <sup>2</sup>	
				CHA - Champagne Specular <sup>2</sup>	
				WHS - White stepped Baffle	
				BLS - Black Stepped Baffle	

**Note:**

- 1) Trim Only indicates use with a remote Class 2 transformer. Transformer and R12S socket sold separately. Hole Cut out size 4 1/2"
- 2) These reflectors are available in Satin finishes
- 3) Only available as Satin versions



Amerisis Lighting Corp.

Project : Living Shangri la, Level 6

Type : L6-2

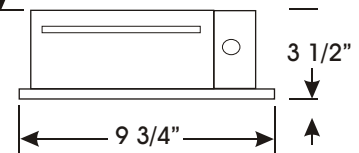
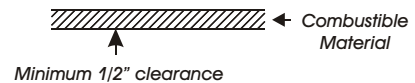
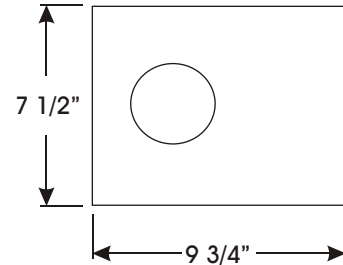
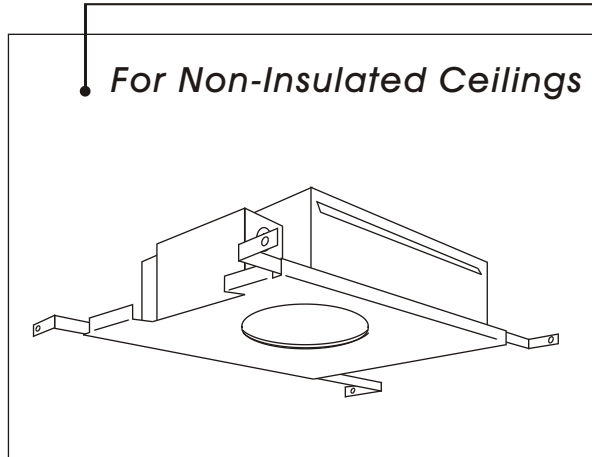
Desc : Dasal 2-120-01 SA

Lamp : 1 X 50 MR16 /FL 10,000 HR

Location Through out



### 2-020-F Frame In Kit



### SPECIFICATIONS

- Housing:** **Rated Non I/C.** The Rite Light II 2-020-F Frame- In Kit offers a unique design allowing installations of very shallow plenums as low as 4". Baseplate 20ga.C.R.S. with black powder coat paint finish. Baseplate is designed for bi-directional mounting of hanger bars. 16" Hanger bars supplied as standard.
- J-Box:** 18ga. Galvanized steel. 5 K.O. around J-Box to allow for easy wire entry. Approved for branch circuit wiring.
- Thermal Protection:** All frame-in kits have overload protection for over lamping.
- Transformer:** Transformer is rated at **50 Watt**. Magnetic core and coil with copper windings, Class H Rating (180°C). **120V, 277V, 347V Primary available.** Transformer is accessed through ceiling opening.
- Lamp/Socket:** Low Voltage MR-16, 12V, **50W Max** (lamp by others). Shipped standard with all trims is a glass lens (all other lenses are sold as accessories). Cover Glass Lamp is not required. Porcelain Bi-Pin socket type GX5.3
- Guarantee:** DaSal Industries warrants all equipment to be free from defect in manufacturing, under normal and proper storage, installation and use, for a period of one (1) year and Five (5) years on all magnetic transformers.
- Weight:** Rough - In approx. 3.69 Lbs (approx. 1.67 Kg)

#### Trims to be used with 2-020-F Frame - In Kit

- Aurora
- Eclipse
- Demi
- Siris
- Pin Hole
- NEW** Picolo
- Key Hole
- NEW** Pivot
- Split
- Coral
- Sunburst
- Conus
- Slice Accessories

### Order Guide

2-020-F	120	BPHI
HOUSING	VOLTAGE	BPHI
2-020-F	120	Black Painted Housing Interior
(Max 50 Watts)	277	
	347	

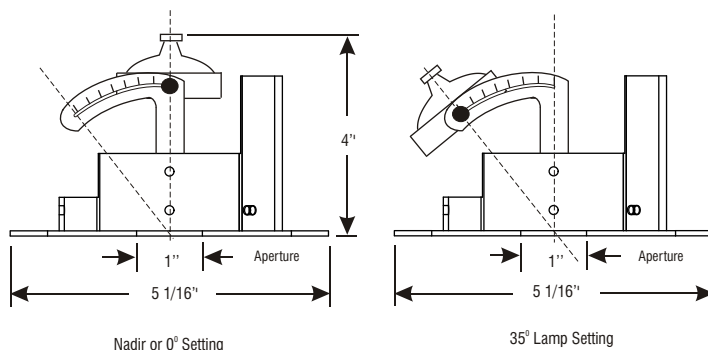
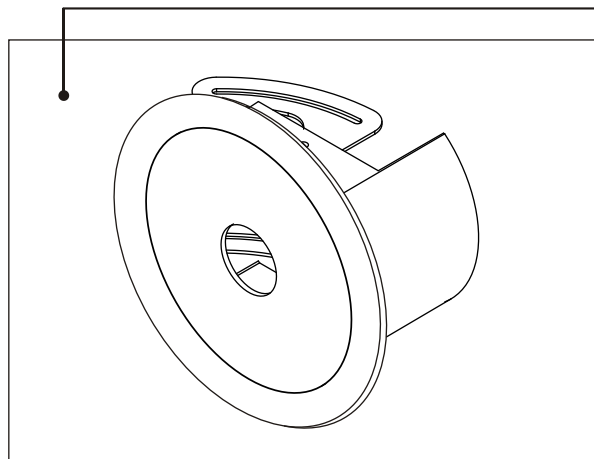
Amerisis Lighting Corp.  
 Project : Living Shangri la, Level 6  
 Type : L6-2A  
 Desc : Dasal 2-020-F-120  
 Lamp : See trim detail  
 Location Through out

sheet)  
 trims



Data and specifications subject to change without notice

### Piccolo (MR 16 Trim)



### SPECIFICATIONS

This new die cast Piccolo trim refers to its appearance and function. This ultra regressed Pin Hole trim offers downlighting through a very small 1" aperture. The lamp is positioned for maximum light output. The trim can be rotated 359°. The lamp is vertically adjustable up to 35°, and has locking capabilities utilizing thumb screws. This assures permanent positioning when relamping. The internal housing components are painted matte black. The trim is tapered at the opening to minimize any flash. Accommodates up to 2 lenses and a snoot if necessary.

The Piccolo trim is ideal for highlighting objects in homes, stores, museums, offices, restaurants, showrooms or any hospitality application.

### Order Guide

		2-185		
HOUSING	VOLTAGE	TYPE	FINISH	OPTION
No Housing (Max 20 Watts) <sup>1</sup>	120	2-185 - Picolo	01 - White	ST - Snoot
2-010-I/C (Max 50 W)	277		04 - Black	
2-010-I/C-A/T (Max 50 W)	347		05 - Matte Silver	
2-020-F (Max 50 W)			11 - Matte Nickel	
2-030-R (Max 50 W)				
2-060-F (Max 75 W)				

**Note:**

- 1) Trim Only indicates use with a remote Class 2 transformer. Transformer and R12S socket sold separately. Hole Cut out size 4 1/2"



Amerisis Lighting Corp.  
 Project : Living Shangri la, Level 6  
 Type : L6-2A  
 Desc : Dasal 2-185-01  
 Lamp : 50MR16 10,000 HRI  
 Location Through out

# SYSTEM TNP

Standard-Output Transformer-Operated Cold Cathode

Details from application photo on reverse

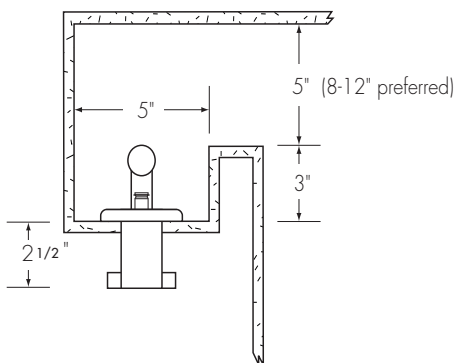
## SYSTEM INFORMATION

- 25mm triphosphor lamps
- Lamps can be fabricated in a wide variety of shapes and curvatures to perfectly and seamlessly illuminate almost any architectural application
- Lamps are available in a wide array of white hues, pastels, and vibrant neon colors
- Dimmable to 10% without flicker
- Lamp operating current is 100 milliamps
- Light output up to 386 lumens per foot (approximately 60% of T-8 fluorescent)
- Virtually maintenance free, lamp life is 50,000 hours +
- Low power consumption: 7.5 watts per foot in energy costs
- One transformer operates up to 80 feet of lamps in a series electrical circuit
- Transformers can be remotely located up to 20 feet from the lamps
- Primary voltages available: 120 volts and 277 volts 60 Hz
- Transformer secondary voltage: 5000-9000 volts
- Transformers are furnished with secondary ground-fault protection\*
-  **US LISTED** for commercial interior dry locations

\*Available as of 12/2002

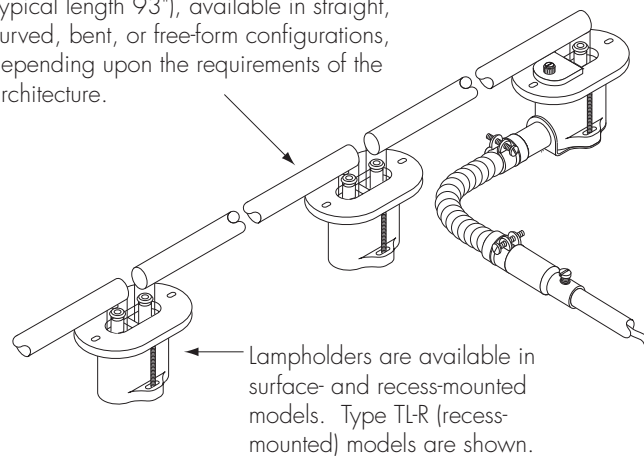
## COVE PROFILE

TL-R (recess-mounted)  
lampholder mounted to  
a horizontal surface



## TYPICAL SYSTEM DETAIL

25mm (T-8) 100-milliamp cold cathode lamp (typical length 93"), available in straight, curved, bent, or free-form configurations, depending upon the requirements of the architecture.



More detailed dimensional and design-related information can be found in the *System TNP Technical Information* section.

Amerisis Lighting Corp.

Project : Living Shangri la Level 6

Type : L6-3 , L6-7, L6-15, L6-15A L6-16

Desc : COLD CATHODE TNP 2800 K

Lamp : Included

Location Circluar cove & Function rooms

page 1 of 3

© 2002 Cathode Lighting Systems Inc.

8020 Queenair Drive, Gaithersburg, MD 20878  
e-mail: info@CathodeLightingSystems.com

## ELECTRICAL AND LOADING INFORMATION System TNP (standard-output transformer-operated cold cathode)

- Transformers are available in four sizes and can operate up to 80 feet of lamps each
- Available in 120 and 277 volts 60 Hz models
- Provided with secondary ground-fault protection circuitry\*
- Available in dimmable normal power factor (NPF), and nondimmable power factor corrected (HPF) models
- Transformers may be remotely located up to 20 feet away from lamps
- Sound rating: C (31-36 decibels)
- VA (volt amps) per foot utilizing dimmable normal power factor (NPF) transformers: 13.5
- VA (volt amps) per foot utilizing nondimmable power factor corrected (HPF) transformers: 7.0



### 120 volts 60 Hz operation, dimmable normal power factor (NPF) transformers

Catalog Number	T-5000-120-NPF-115	T-6000-120-NPF-115	T-7500-120-NPF-115	T-9000-120-NPF-115
Primary Amps	5.0	6.0	7.5	9.0
Primary VA	600	720	900	1100
Secondary Voltage	5000 volts	6000 volts	7500 volts	9000 volts
Weight	30 lbs.	35 lbs.	38 lbs.	50 lbs.
Lamp Footage	25 to 30 feet	35 to 45 feet	45 to 60 feet	60 to 80 feet

### 120 volts 60 Hz operation, nondimmable power factor corrected (HPF) transformers

Catalog Number	T-5000-120-HPF-115	T-6000-120-HPF-115	T-7500-120-HPF-115	T-9000-120-HPF-115
Primary Amps	2.5	3.0	3.75	4.5
Primary VA	300	360	450	600
Secondary Voltage	5000 volts	6000 volts	7500 volts	9000 volts
Weight	30 lbs.	35 lbs.	38 lbs.	50 lbs.
Lamp Footage	25 to 30 feet	35 to 45 feet	45 to 60 feet	60 to 80 feet

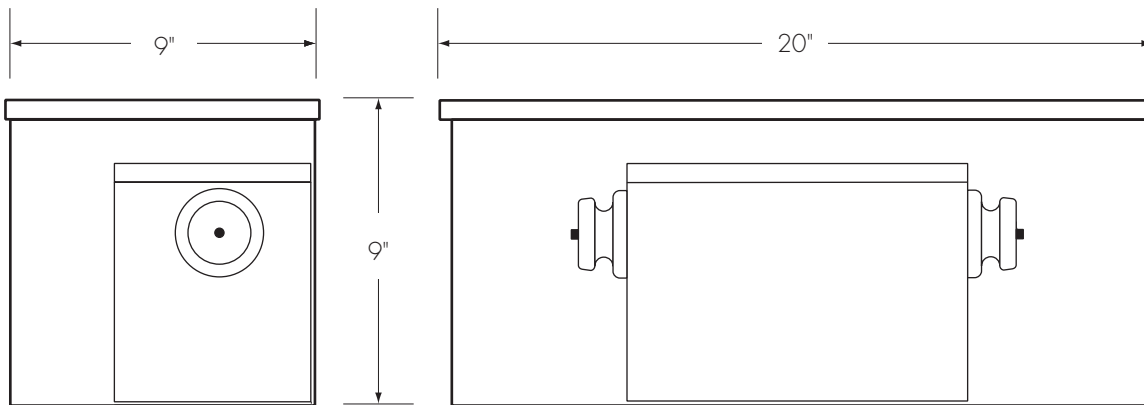
### 277 volts 60 Hz operation, dimmable normal power factor (NPF) transformers

Catalog Number	T-5000-120-NPF-277	T-6000-120-NPF-277	T-7500-120-NPF-277	T-9000-120-NPF-277
Primary Amps	2.2	2.6	3.25	3.95
Primary VA	600	720	900	1100
Secondary Voltage	5000 volts	6000 volts	7500 volts	9000 volts
Weight	30 lbs.	35 lbs.	38 lbs.	50 lbs.
Lamp Footage	25 to 30 feet	35 to 45 feet	45 to 60 feet	60 to 80 feet

\* available as of 12/2002

Dimensional information on reverse

## TRANSFORMER DIMENSIONS AND SPECIFICATIONS System TNP (standard-output transformer-operated cold cathode)



Transformers are shipped from the factory preassembled in a 20-gauge galvanized steel enclosure with integral external disconnect switch. Enclosures are provided 1/2" electrical knock-outs on two sides for conduit connection.

### Installation Guidelines

Install transformers as close to lamps as possible in order to keep the secondary feeds as short as possible. Transformers shall be installed in an accessible location by installation in an accessible electrical or maintenance closet, above a lay-in ceiling, or above an access panel (18" x 18" minimum size). Transformer location shall not exceed 100 degrees F. To avoid any electrical noise interfering with computer, public address, or telecommunication systems, all cold cathode transformers shall be supplied from distribution transformers dedicated to lighting only. If distribution or isolation transformers are not available, cold cathode transformers must be fed from a dedicated circuit with separate neutral wiring. Additionally, all cold cathode transformers, associated conduits and wiring shall maintain a 36" separation from any computer, public address, or telecommunications\* wiring and equipment.

\*Electronic telephone handsets are exceptionally sensitive to minute amounts of EMI (electromagnetic interference). Please allow at least 10 feet between a transformer location and any phone station.

See reverse for transformer loading and electrical information.

3 of 3

*Drawings not to scale*



Amerisis Lighting Corp.

Project : Shangril la L6

Type : L6-4

Desc : Custom chandelier tba

Location : Circular cove



**IVT101**

**Stainless Steel Vortech Monopoint**

Notes:  120V:   
 277V:   
 Type:



**Description:**  
 The Intense Stainless Steel Vortech series is constructed of 316 Marine grade stainless steel. The 316 Marine grade has superior corrosion resistance. The Vortech Stainless Steel series is cold worked. Also available in white or black powder coated stainless steel.

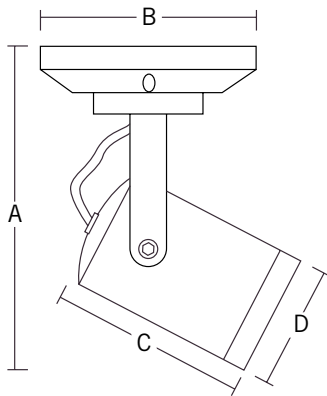
**Shielding:**  
 Lamp covers are gasketed and covered with tempered glass.

- Features:**
- Aesthetic appearance
  - Easy relamping
  - Easy to maintain
  - Impact resistant long life material
  - ETL wet location listed
  - 75W transformer included if specified
  - Indoor / outdoor applications
  - Adjustable locking allen hex screw

**Lamps:**  
 (1) 50W 12V MR16

**Electrical:**  
 Standard 120V. Consult factory for 277V. Fixture is fully gasketed and ETL wet location listed. Fixture may be dimmed with no special modification or specification.

**Mounting:**  
 Fixture mounts to standard 3" octagon junction box.



- A:** Total Fixture Height 4 1/2"
- B:** Mounting Plate Diameter 4 1/4"
- C:** Cylinder Length 3 1/4"
- D:** Cylinder Diameter 2 1/4"
- E:** Distance Between Screws 3 1/8"

**Available Options**

Catalog #	Description
<b>PL5</b>	MR16 amber lens
<b>PL6</b>	MR16 red lens
<b>PL7</b>	MR16 yellow lens
<b>PL8</b>	MR16 green lens
<b>PL9</b>	MR16 blue lens
<b>PL10</b>	MR16 clear tempered lens
<b>PFL1</b>	MR16 diffuse spread lens
<b>PFL2</b>	MR16 linear spread lens
<b>PFL3</b>	MR16 sand spread lens
<b>PFL6</b>	MR16 soft focus lens
<b>PFL16B</b>	MR16 black louver
<b>PFL16C</b>	MR16 clear louver

**Ordering Matrix and Options**

Catalog #	Finish	Options
<b>IVT101</b>	<input type="checkbox"/> <b>ST:</b> stainless steel <b>W:</b> white <b>B:</b> black <b>MO:</b> plated mocha	<input type="checkbox"/> blank: no transformer <b>-TR:</b> 75W transformer

AMERISIS LIGHTING CORP.  
 PROJECT : Living Shangri la, Level 6  
 TYPE : L6-5  
 DESC : INTENSE IVT101 ST TR PFL1  
 LAMP : 1 x 50MR16 10,000 HR  
 Location: Exterior Canopies



**F**INALLY, THE LOOK OF A CUSTOM COLD CATHODE INSTALLATION IN AN OFF-THE-SHELF MODULAR SYSTEM. OUR ARCHITECTURAL-GRADE COLD CATHODE FIXTURE MAKES DESIGNING SEAMLESS SPECIAL EFFECTS LIGHTING EASIER THAN EVER. LAMPS ARE ILLUMINATED FROM END TO END, CREATING TRUE SHADOWLESS LINEAR FLUORESCENT LIGHT. STANDARD INTEGRAL DIMMING BALLASTS, SIMPLE INSTALLATION, AND A LAMP LIFE OF 50,000 HOURS MAKE **CATHODE LIGHT STRIP** THE CLEAR CHOICE WHEN THE HIGHEST-QUALITY LONG-LIFE LIGHTING EFFECTS ARE REQUIRED. **CATHODE LIGHT STRIP**, PERFECT ELEGANCE WAS NEVER SO EASY.



Model CLS-4 shown equipped with a warm white (30TC) lamp. ▶

**FEATURES:**





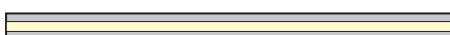
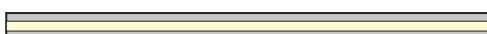


- **SEAMLESS ILLUMINATION:** Lamp illumination is complete, from end to end, with no dark spots or socket shadow.
- **ULTRA-LONG LAMP LIFE:** The cold cathode lamp has a life of 50,000 hours +.
- **LOW PROFILE:** Just 2 5/8" wide and 3 1/2" tall, much smaller than traditional custom cold cathode.
- **AVAILABLE IN A VARIETY OF LENGTHS:** With eight standard sizes available, fixtures can be combined or used individually to create lengths from four feet up to thousands of feet, in six-inch increments.
- **WIDE COLOR SELECTION:** Lamps are available in six shades of white and 17 vibrant colors.
- **DIMMABLE:** Fixtures are supplied standard with integral dimmable ballasts.
- **ALL FIXTURES DIM AT THE SAME RATE:** Cathode Light Strip has been engineered to dim evenly from fixture to fixture, regardless of length or combinations of differing lengths.
- **STREAMLINED AND LIGHTWEIGHT:** Fixtures are made from satin anodized architectural-grade, snap-fit aluminum extrusion.
- **SIMPLE INSTALLATION AND LOW MAINTENANCE:**

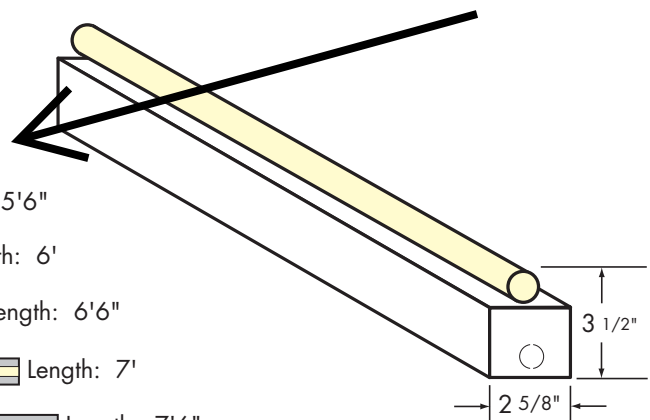
Amerisis Lighting Corp.  
 Project : Living Shangri la Level 6  
 Type : L6-8 , L6-23  
 Desc : COLD CATHODE CLS  
 Lamp : Included  
 Location Theater / Corridor North

page 1 of 3

**FIXTURE MODELS:**

Eight standard fixture lengths are available and may be combined to form any row length from four feet, to thousands of feet, in six inch increments.

- Model CLS-4  Length: 4'
- Model CLS-4.5  Length: 4'6"
- Model CLS-5  Length: 5'
- Model CLS-5.5  Length: 5'6"
- Model CLS-6  Length: 6'
- Model CLS-6.5  Length: 6'6"
- Model CLS-7  Length: 7'
- Model CLS-7.5  Length: 7'6"





**TYPICAL COVE MOUNTING DETAIL:**

The larger the cove, the more even the lighting effect will be. Although Cathode Light Strip has a minimal profile (2 5/8" wide by 3 1/2" tall), it is always a good idea to allow ample space for installation ease and proper distribution of light.



Cove detail from photo at right

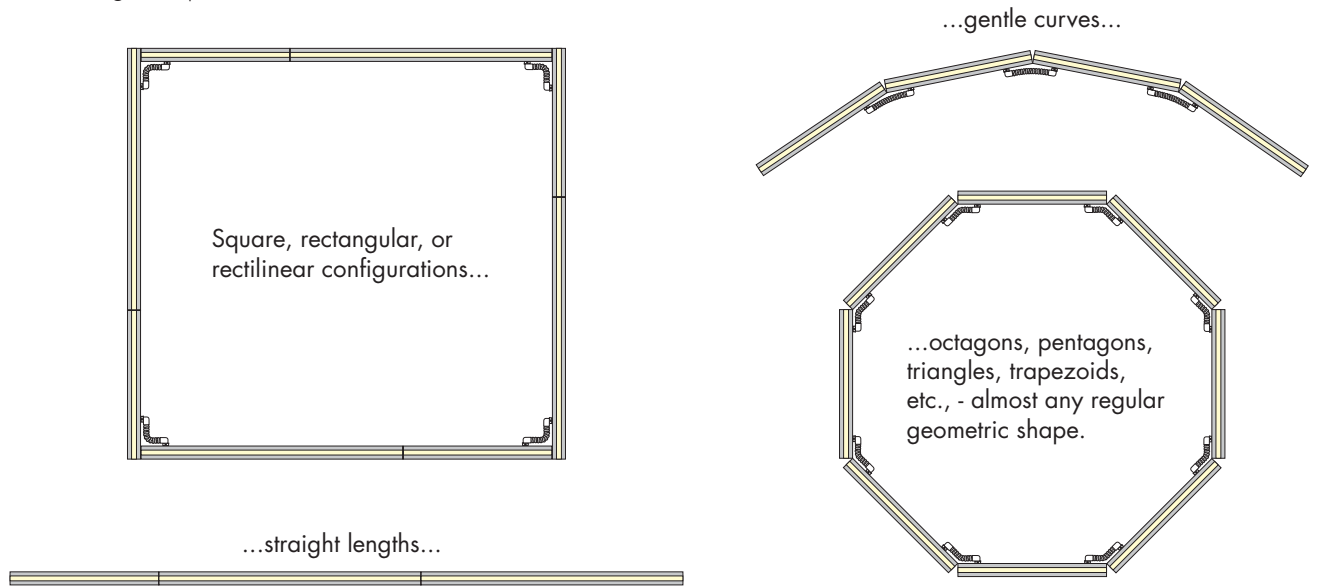


Amerisis Lighting Corp.  
 Project : Living Shangri la Level 6  
 Type : L6-8 , L6-23  
 Desc : COLD CATHODE CLS  
 Lamp : Included  
 Location Theater/Corridor North  
 page 2 of 3

These coves are illuminated using a combination of medium size fixtures, with Warm White (30TC) lamps.

**TYPICAL CATHODE LIGHT STRIP APPLICATIONS:**

Cathode Light Strip can be used in almost any application. When fixtures are butted end-to-end in a straight segment, they are wired together using the electrical knock-outs at the end of each fixture. When mounted at any other angle, electrical connections are made through the sides of the fixture using standard flexible conduit and fittings. Use Cathode Light Strip to illuminate:



**INSTALLATION:** Cathode Light Strip is shipped to the job site preassembled, and installation is as easy as:



Remove cover and mount the fixture in place.

Connect to next fixture and wire to line voltage.

Replace cover; snap lamp in.

Slide lamp locking clip in place.

Energize.

**COLORS AND LIGHT OUTPUT** Note: All white lamps are triphosphors with a CRI of 85+.

Cat. No.	Lamp color	Lumens per foot	Cat. No.	Lamp color	Lumens per foot
28TC	Incandescent White - 2800°K	371	DP	Deep Purple	36
30TC	Warm White - 3000°K	386	SB	Sky Blue	306
35TC	Soft White - 3500°K	374	DB	Deep Blue	252
42TC	Cool White - 4200°K	358	CB	Cobalt Blue	195
50TC	Ice White - 5000°K	364	TQ	Turquoise	355
65TC	Daylight - 6500°K	369	AQ	Aquamarine	288
			GR	Green	360
PW	Pink White	216			
HP	Hot Pink	198			
RR	Ruby Red	72			
LV	Lavender	234			
PR	Purple	180			

Amerisis Lighting Corp.  
 Project : Living Shangri la Level 6  
 Type : L6-8 , L6-23  
 Desc : COLD CATHODE CLS  
 Lamp : Included  
 Location Theater / Corridor North  
 page 3 of 3

Please note: This color chart is a printed representation of lamp colors and should be used as a guide only.

**SPECIFICATIONS:**

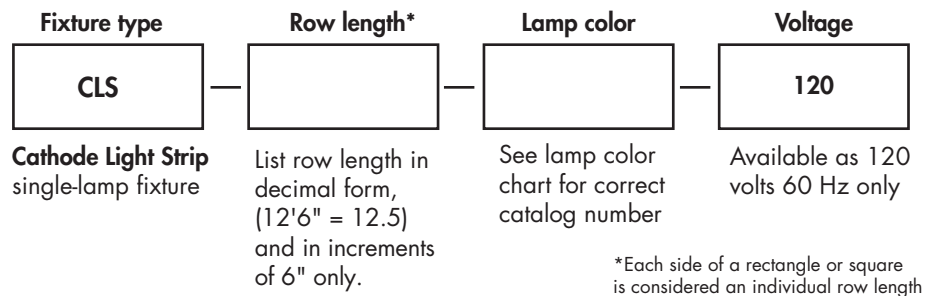
- FIXTURE:** Shall be Cathode Light Strip - Model CLS. Fixture housing shall be .060" satin anodized snap-fit aluminum extrusion with integral dimmable ballast.
- LAMP(S):** Shall be 50,000-hour, 25mm cold cathode fluorescent, color as specified.
- BALLAST:** Shall be 900-volt, 100-mA instant-start cold cathode, class P thermally protected, sound rated A.
- SAFETY FEATURES:** Circuit-interrupt function shall de-energize ballasts when lamps are removed.
- APPROVALS:** Fixture shall be UL and C-UL listed: IEUZ-Fluorescent Surface Mounted Luminaires.
- MANUFACTURER:** Shall be Cathode Lighting Systems Inc., Gaithersburg, MD, USA; (800) 551-5012. Website: www.CathodeLightingSystems.com

**ELECTRICAL GUIDELINES AND ORDERING INFORMATION:**

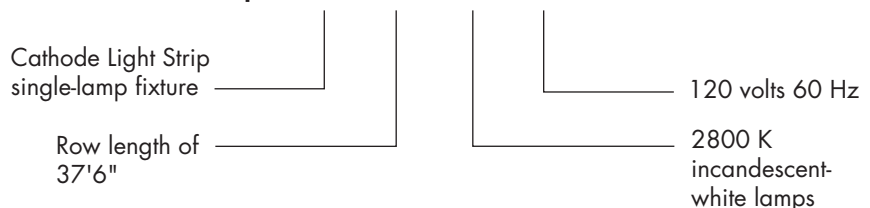
Temperature range:  
40 to 100 degrees F.

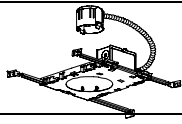
**Electrical information:**  
Allow approximately 14-20 VA per foot depending upon combination of fixtures. Please consult factory for detailed loading information.

**Dimming:**  
Cathode Light Strip is provided as a dimmable fixture and will dim to approximately 20% without flicker. Dimmers used in conjunction with this fixture must be rated for cold cathode loads. Please consult dimmer manufacturer for inquiries regarding dimmer compatibility.



**Example:** CLS - 37.5 - 28TC - 120

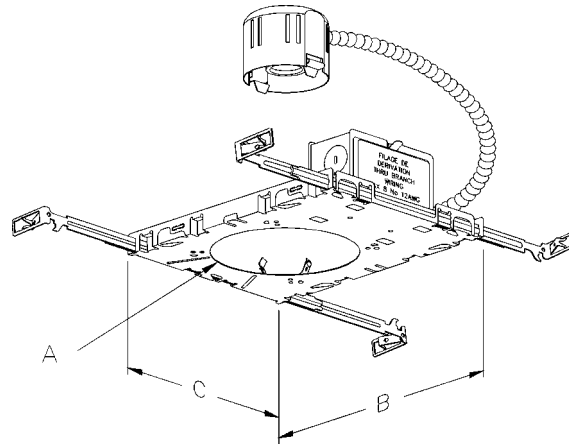




3 3/4", 5 1/4" and 6 3/4" Apertures  
Incandescent  
Standard Frame-In-Kit (Non-IC)

Lytecaster  
Recessed Downlight

1102



Complete fixture consists of Reflector Trim & Frame-in Kit. Select each separately

FRAME-IN-KIT	CUT-OUT A	B	C
2002	3 3/4 po.	10 1/8 po.	7 1/2 po.
<b>1002</b>	<b>5 1/4 po.</b>	<b>10 1/8 po.</b>	<b>7 1/2 po.</b>
1102	6 3/4 po.	11 3/4 po.	9 1/8 po.

REFLECTOR TRIM (see Reflector Trim specification sheets)
Accepts all Incandescent 2000 Trims
<b>Accepts all Incandescent 1000 Trims</b>
Accepts all Incandescent 1100 Trims

#### Features

**Mounting Frame** : .036" galvanized steel. Accommodates all ceilings up to 1" thick. Four slots are positioned 90° apart to simplify alignment. Large break-out section permits installation in existing ceilings from below. (except 2002)

**Rotoclips** : Easy reflector trim installation. Push-in / twist-out Rotoclips hold reflector flush to ceiling.

**Mounting Bars** : (4) 18 ga. galvanized steel. 13" long bars extend to 27" , rotatable and lockable, integral t-bar tabs. Spike detail eliminates the need of additional nailing. Attaches to wood joist or T-bar without need of accessories.

**Mounting Bars Locking Clip** : (1) locks mounting bars in place. Additional clips are sold separately (0098 set of 12)

**Snap-on Socket Cup** : .030" deep-draw galvanized steel. Adjustable to accommodate different lamps. Unitized optics assures accurate lamp positioning. Acts as a temporary work light during construction.

**Socket** : Porcelain medium base; nickel plated screw shell. Pre-wired with #18 ga. SEW leads to junction box.

**Junction Box** : 4"x 3"x 2" 18 ga. galvanized steel . CSA certified for maximum of 8 No. 12 ga. 90° C through branch circuit conductors. Integral cable clamp permit attachment of non-metallic Loomex without need of additional connectors. Pry-out knock-outs accept BX cable. Easy access from both sides with snap-on covers.

**Thermal Protector** : Meets CSA requirements. Insulation, if used, must be kept 3" away from luminaire sides and junction box.

#### Accessories

**Thermal Protector Replacement** : 1970  
For all Incandescent Non-IC Frame-in-Kits.

**Mounting Bars Extenders** : 1964  
20" long (set of 2)

**Mounting Bar Locking Clips** : 0098  
To lock mounting bars in place after installation. Set of 12.

**Step Down Transformer**  
7997VA100 : Step Down from 347V to 120V : 100W Max.

#### Labels : CSA


Damp or Wet location rated depending on Trim used.

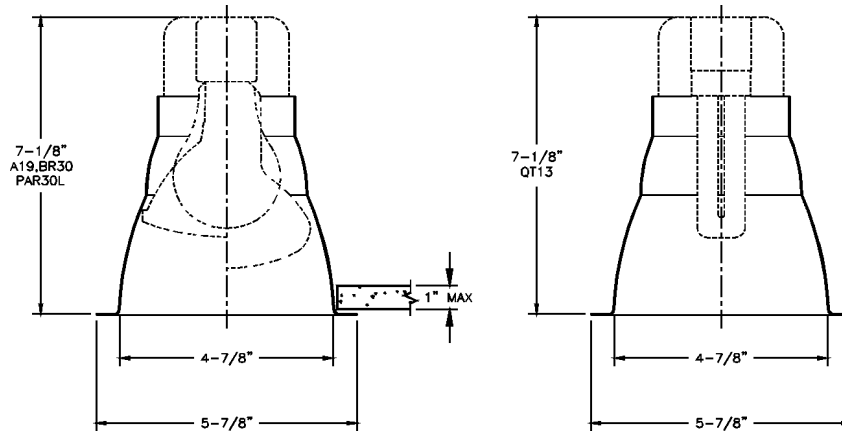
WE RESERVE THE RIGHT TO CHANGE DETAILS OF DESIGN, MATERIALS AND FINISH, IN ANY WAY THAT WILL NOT ALTER INSTALLED APPEARANCE OR REDUCE FUNCTION AND PERFORMANCE.

Lightolier CFI, 3015 Louis Amos Lachine, (Quebec) H8T 1C4

AMERISIS LIGHTING CORP.  
PROJECT : Living Shangri la, Level 6  
TYPE : L6-9  
DESC : 1002 HOUSING  
LAMP :  
Location: Function room 4

LIGHTOLIER®

	<b>5 1/4" Aperture</b> <b>Deep Alzak Reflector</b>	<b>Lytecaster</b> <b>Recessed Downlight</b>	<b>1046</b>
--	---	--	-------------



Ceiling Opening : 5 1/4"

Complete fixture consists of Reflector Trim & Frame-in Kit. Select each separately

REFLECTOR TRIM	INCANDESCENT F.I.K.			COMPACT FLUORESCENT F.I.K.	
	NON-IC	IC	IC AIRSEAL	NON-IC	IC
<b>1046CL</b> Specular Clear Alzak <b>1046GD</b> Specular Gold Alzak	<b>1002</b> 85W BR-30 75W PAR-30L *	<b>1002IC</b> 60W A-19 75W BR-30 75W PAR-30L *	<b>1004IC-CDN</b> 40W A-19	<b>1002F1</b> (120V) 1 x 13W QT <b>1002FH1</b> (120V) 2 Pin (GX23-2) <b>1002FH3</b> (347V)	<b>1002FH1IC</b> (120V) 1 x 13W QT 2 Pin (GX23-2)
	REMODELER <b>1003RS-CDN</b> 100W A-19 85W BR-30 75W PAR-30L *		REMODELER <b>1004ICRS-CDN</b> 40W A-19		

\* Long Neck Lamp

**Features**

**Reflector** : Hydroformed aluminum, .050" thick ; 38° shielding angle; specular clear or gold Alzak finish; white trim flange.

**Frame-In-Kit**

**Note** : For complete Frame-In-Kit specifications, see sheet 1102 , 1102IC , 1103R , 1104IC , 1104ICR , 1102F and 1102FIC

**Accessories**

**Extra Wide Flange Trim Ring** : 1957 ; For most 1000 series Reflector Trim. O.D. 7".

**Labels : CSA**

Suitable for damp locations.

LIGHTING

WE RESERVE THE RIGHT TO CHANGE DETAILS OF DESIGN, MATERIALS AND FINISH, IN THAT WILL NOT ALTER INSTALLED APPEARANCE OR REDUCE FUNCTION AND PERFORMANCE.  
 Lightolier CFI, 3015 Louis Amos Lachine, (Quebec) H8T 1C4

AMERISIS LIGHTING CORP.  
 PROJECT : Living Shangri la, Level 6  
 TYPE : L6-9  
 DESC : 1046CL Trim  
 LAMP : 1 x 75 A19 IF  
 Location: Function Room # 4

# CLEANGUARD CLASS 1,000/10,000 CLEAN ROOM CXSW SERIES

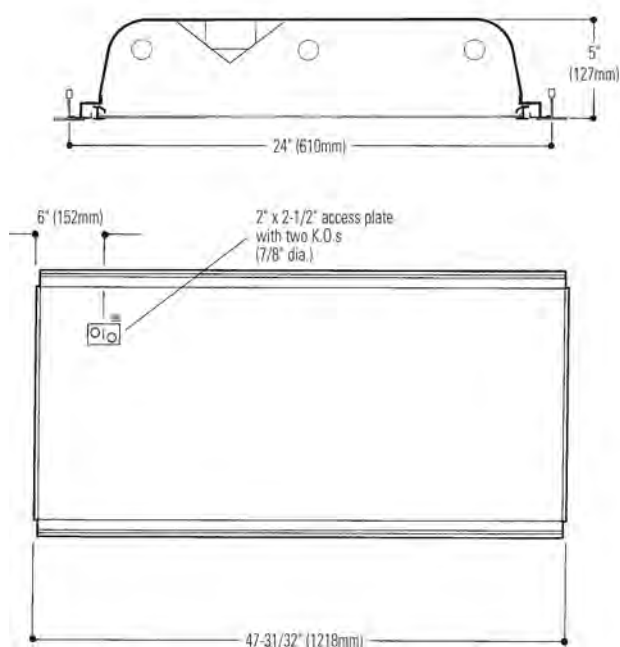
## RECESSED FLUORESCENT, 2X4, FOR 15/16" TO 1-1/2" WIDE FACE T-BAR 2, 3 OR 4 LAMP, T8

### Features

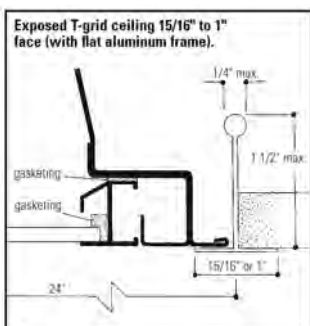
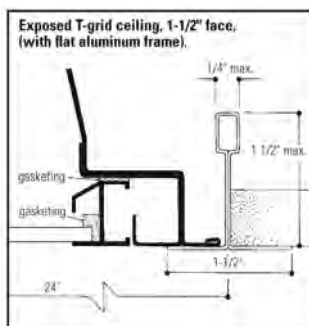
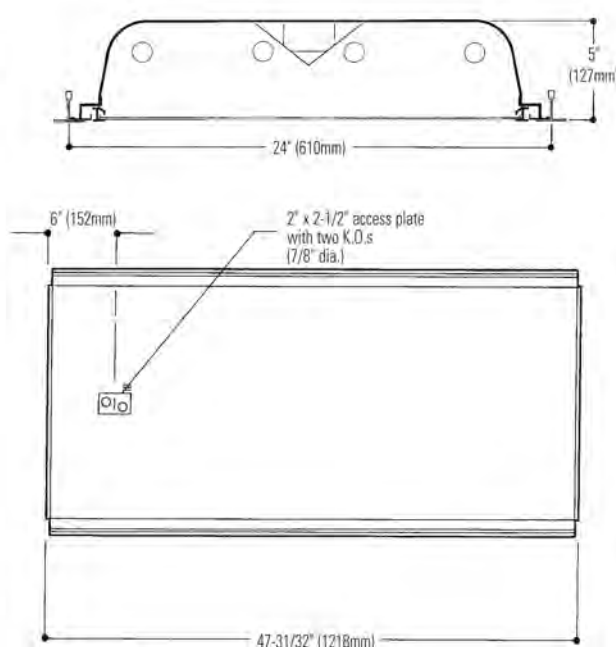
- Meets requirements for Federal Standard 209E Class 1,000/10,000 & 100,000 Clean Room tested by Independent Lab.
- UL and ULc Listed for wet or damp locations for covered ceiling use.
- Fits 15/16" to 1-1/2" wide face grid ceiling systems. Contractor responsible for sealing fixture to ceiling.
- Full perimeter gasketing (closed cell Neoprene) between door frame and lens, closed cell ethafoam gasketing between housing and door frame.
- Ends sealed to body.
- .125 pattern 12 lens installed smooth side down.
- Door frame is post painted, baked acrylic enamel.
- Hemmed over side rails for maximum safety.
- Spring loaded rooster head latches.
- 18 gauge steel hinges.
- Flat extruded aluminum door.



### Mounting Methods / Features



### Dimensions



AMERISIS LIGHTING CORP.  
 PROJECT : Living Shangri la, Level 6  
 TYPE : L6-10  
 DESC : CFI CXS2WFAV 332 120 SO  
 LAMP : 3 x F32T8 35K  
 Location: Service Kitchen

FLUORESCENT

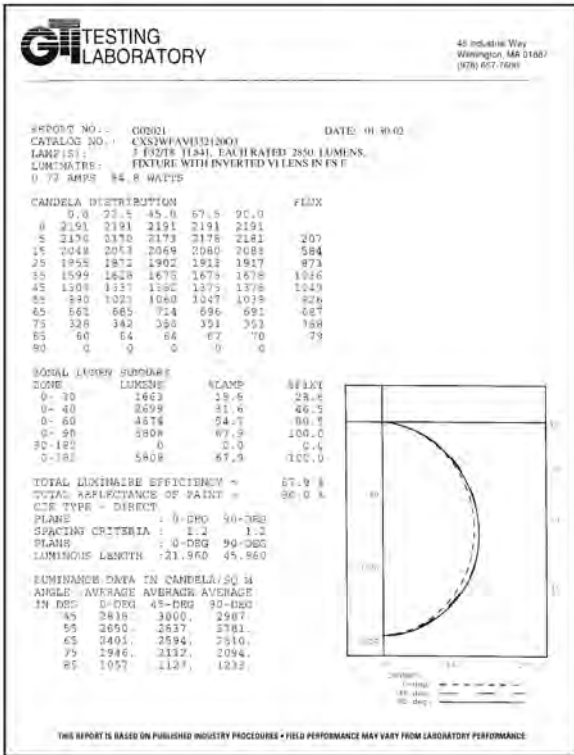
# CLEANGUARD CLASS 1,000/10,000 CLEAN ROOM CXSW SERIES

## RECESSED FLUORESCENT, 2X4, FOR 15/16" TO 1-1/2" WIDE FACE T-BAR 2, 3 OR 4 LAMP, T8

### Photometry

Model No. CXS2WFAVI33212003

LER = FP - 73.2 IW - 108.7 BF - 0.88  
Comparative yearly lighting energy cost per 1000 lumens = \$3.28



### coefficients of utilization — zonal cavity method

RF	20			20		
	20	30	40	20	30	40
RC	80			50		
RW	70	50	30	50	30	10
1	74	71	68	67	64	62
2	68	62	57	58	55	52
3	62	55	49	51	47	44
4	56	48	43	46	41	37
5	52	43	37	41	36	32
6	48	39	33	37	32	28
7	45	35	30	34	29	25
8	41	32	27	31	26	22
9	39	30	24	29	24	20
10	36	27	22	26	22	18

### Ordering Information Explanation of Catalogue Number Example: CXS2WFAVI33212003

<b>CX</b>	<b>S</b>	<b>2</b>	<b>W</b>	<b>FA</b>	<b>VI</b>	<b>3</b>	<b>32</b>	<b>120</b>	<b>03</b>	<b>OPTIONS</b>
<b>CLEANGUARD CLEAN ROOM</b>	<b>STATIC</b>	<b>FIXTURE WIDTH</b>	<b>CEILING TYPE</b>	<b>LENS FRAME</b>	<b>LENS/SHIELDING TYPE</b>	<b>LAMP QUANTITY</b>	<b>LAMP/FIXTURE LENGTH</b>	<b>VOLTAGE</b>	<b>BALLAST TYPE</b>	Add appropriate suffix to catalog no.
Class 1,000, 10,000 or 100,000 Clean Room			<b>W=</b> Grid 15/16" to 1-1/2" face (lay in T-bar)	<b>FA=</b> Flat aluminum frame	<b>VI=</b> (virgin acrylic) .125 standard. For options consult factory. Smooth side of lens towards room.	<b>2=</b> 2 Lamp <b>3=</b> 3 Lamp <b>4=</b> 4 Lamp	<b>32=</b> T8 (Nominal 48")	<b>120 OR 277</b>	<20THD <b>SO*</b> <b>HI*</b> 1 & 2 Lamp Elec. T8 <b>SO*</b> <b>HI*</b> 2-2 Lamp Elec. T8 <b>03*</b> <b>HI*</b> 1-3 Lamp Elec. T8 <b>04*</b> <b>H4*</b> 1-4 Lamp Elec. T8 <b>PS</b> - LOL Dimming (T8) *Instant Start Standard	

### OPTIONS/ACCESSORIES

**FUSING:** Internal fast-blow fusing: SUFFIX: F.  
**ELECTRICAL/WIRING OPTIONS:** Consult factory.

### AMERISIS LIGHTING CORP.

PROJECT : Living Shangri la, Level 6  
TYPE : L6-10  
DESC : CFI CXS2WFAV 332 120 SO  
LAMP : 3 x F32T8 35K  
Location: Service Kitchen

### SPECIFICATIONS

**MATERIALS:** Chassis parts are die-formed code gauge cold rolled steel. Housing with side rails hemmed over and housing ends turned-in for safe handling.  
**FINISH:** Chassis exterior—black baked polyester enamel. Cavity—white baked polyester enamel minimum 86% reflectance. Phosphate undercoating.  
**LENSES:** VI (standard) extruded virgin acrylic, 3/16" square based female cones, running 45° to the panel edge, .125" nominal thickness (similar to pattern 12).  
**ELECTRICAL:** Thermally protected class "P" ballast C.B.M. approved, non PCB. If K.O. is within 3" of ballast, use wire suitable for at least 90°.  
**LABELS:** I.B.E.W. UL and ULc Listed.

### Job Information

Type:

Lightolier a Genlyte Thomas Company

Technical Information: (978) 657-7600 - (978) 658-0595

631 Airport Road, Fall River, MA 02720 - (508) 679-8131

C.F.I. Division of Canlyte, Inc.

525 Education Road, Cornwall, Ontario, Canada K6H 6C7 - (613) 938-6221

We reserve the right to change details of design, materials and finish.

© 2005 Genlyte Thomas Group LLC (Lightolier Division)

A0902

Section 6 / Folio U-N40-16

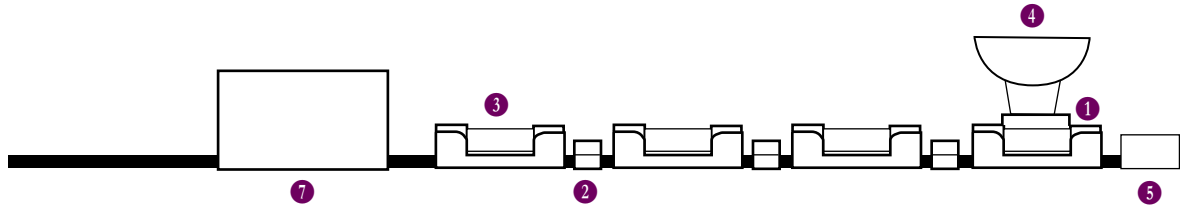
**CFI FLUORESCENT**



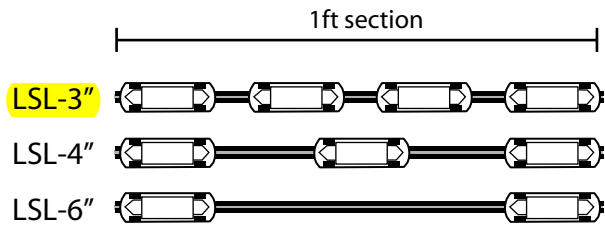
INNOVATIVE  
LIGHTING

# FESTOON SERIES LIGHT

## SPECIFICATION SHEET



- |        |  |
|--------|--|
| Part # | Description                              |
| 1      | LSL-1 Bi-Pin Adapter for Festoon Socket  |
| 2      | LSL-3 Mounting Clip                      |
| 3      | LSL-4 Festoon Lamp (See Lamp Spec Table) |
| 4      | LSL-6 20W MR11                           |
| 5      | LSL-7 End Cap                            |
| 6      | LSL-8 Reflective Plate                   |
| 7      | LSL-9 Terminal Block                     |

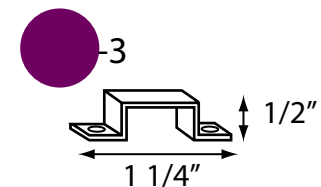
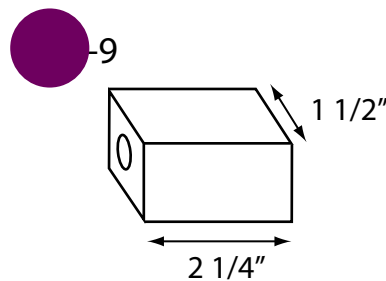
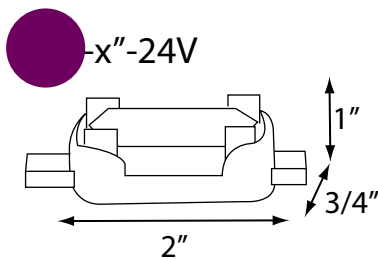


Part #	Spacing	Lamps/ft	Max Distance	
			5W	10W
LSL-3"	3"oc	4	22.5'	11.25'
LSL-4"	4"oc	3	30'	15'
LSL-6"	6"oc	2	45'	22.5'

### ORDER SHEET / PROJECT BILL OF MATERIALS

LSL-__"oc-24V-__ft	_____	Festoon Light
+ ft x lamps/ft	_____	LSL-3 Mounting Clips
+ ft x lamps/ft	_____	LSL-4__-__ Festoon Lamps
+ ft x lamps/ft	_____	LSL-8 Reflectors
+ # required	_____	LSL-1 Bi-Pin Adapter
+ # required	_____	LSL-6 20W MR11 Halogen
+ # runs	_____	LSL-7 End Cap
+ # runs	_____	LSL-9 Terminal Block
+ Xfmr	_____	See Transformer Section

- TE:
- Max. Current: 19A
  - Max. W per Socket: 20W
  - Connecting wire should be min. 12AWG
  - Each run must have LSL-9 & LSL-7
  - Multiple runs can be fed from a single transformer
  - Each run should be fuse protected



Part#	Wattage	Type	Colour	Lumens	Avg. Life	CCT
LSL4A-CL	5W	Festoon Xenon	Clear	50lm	15000hr	2800K
LSL4A-FR	5W	Festoon Xenon	Frosted	50lm	15000hr	2800K
LSL4B-CL	10W	Festoon Xenon				
LSL4B-FR	10W	Festoon Xenon				
LSL4C	5W	Festoon Incand.				
LSL4D	10W	Festoon Incand.				
LSL-6	20W	MR11 Halogen				

AMERISIS LIGHTING CORP.  
 PROJECT : Living Shangri la, Level 6  
 TYPE : L6-11 & L6-21  
 DESC : B&L LSL4A 5W XENON CLEAR 3" O.C.  
 LAMP : INCLUDED  
 Location: Elevator lobbies



BL Innovative Lighting  
 111 - 8838 Heather St. P: 604-874  
 Vancouver, BC, V6P3S8, Canada F: 604-321



Amerisis Lighting Corp.

Project : Shangril la L6

Type : L6- 12

Desc : Custom chandelier

Location : Function room 3





Amerisis Lighting Corp.

Project : Shangril la L6

Type : L6- 13

Desc : Custom chandelier

Location : Function room 1



Amerisis Lighting Corp.

Project : Shangril la L6

Type : L6- 14

Desc : Custom chandelier

Location : Function room 2

# SV STRIP T5

## STRIP T5

2" WIDE 1 3/8" DEEP

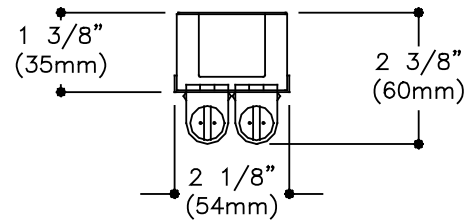
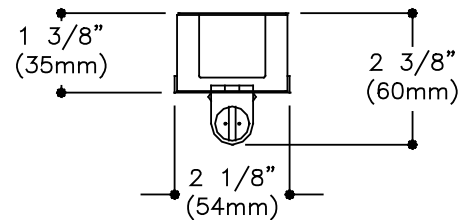
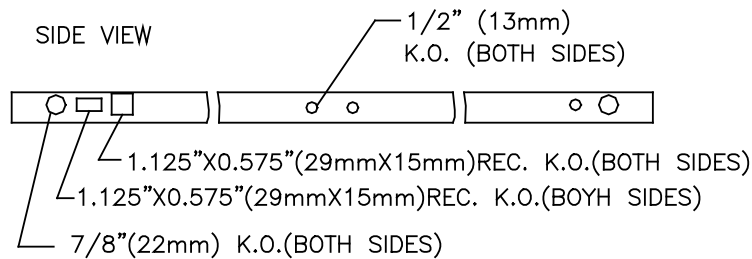
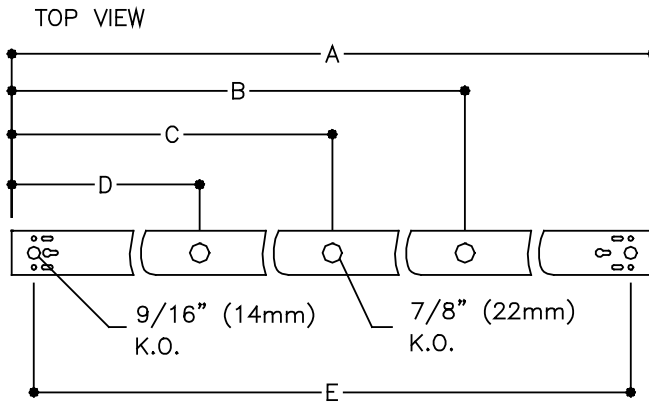
22", 34", 46" AND 92" LENGTHS

1 OR 2 LAMP, T5

- Only 2" wide.
- Utilizes compact, high efficiency, T5 or T5HO lamps.
- Fully enclosed wiring.
- Optional white or specular, symmetric and asymmetric reflector.
- Convenience outlet and switch K.O.s provided.
- Push through lamp holders with rotor for secure lamp retention.
- Optional hangers and wires guards.



## DIMENSIONS



Nom. Length	A	B	C	D	E
92"	91 15/16" (2335mm)	69 19/32" (1768mm)	45 31/32" (1168mm)	23 19/32" (599mm)	89 15/16" (2284mm)
46"	45 15/16" (1167mm)	N/A	23 19/32" (599mm)	N/A	43 15/16" (1116mm)
34"	34 3/16" (869mm)	N/A	10 5/8" (270mm)	N/A	32 3/16" (818mm)
22"	22 3/8" (569mm)	N/A	1 13/16" (46mm)	N/A	N/A

FIXT

AMERISIS LIGHTING CORP.  
 PROJECT : Living Shangri la, Level 6  
 TYPE : L6-18  
 DESC : CFI SV4 S228 120  
 LAMP : T5/27K  
 Location: Ladies washrooms  
 page 1 of 2

JOB

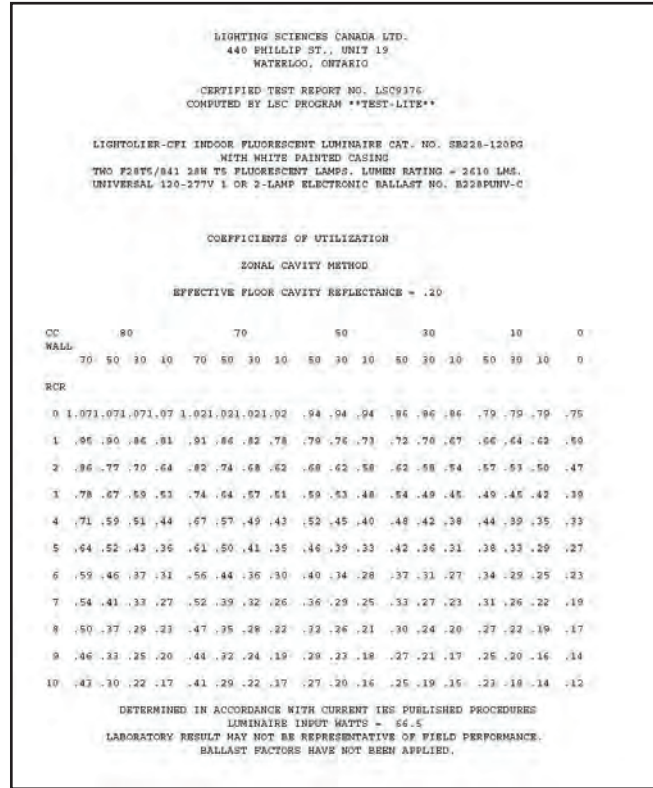
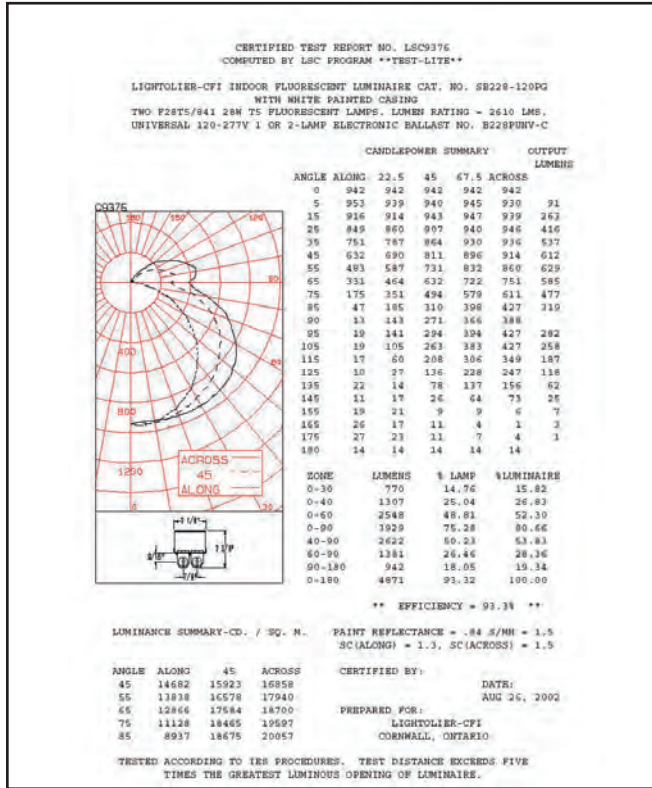
# SV STRIP T5

# STRIP T5

22", 34", 46" OR 92" LENGTHS

## PHOTOMETRY

## MODEL NO. SV4S228120PI



## ORDERING INFORMATION Explanation of Catalogue Number Example: SV4S228120PI

<b>SV</b> STRIP Strip T5, 2" wide X 1 3/8" deep channel	<b>4</b> NOMINAL FIXTURE LENGTH 2 = NOMINAL 22" 3 = NOMINAL 34" 4 = NOMINAL 46" 8 = NOMINAL 92"	<b>S</b> CEILING TYPE S = Surface	<b>2</b> LAMP QUANTITY IN A LUMINAIRE CROSS-SECTION 1 or 2	<b>28</b> LAMP TYPE (NOMINAL 22") 14 = 14W T5 24 = 24W T5 HO (NOMINAL 34") 21 = 21W T5 39 = 39W T5 HO (NOMINAL 46") 28 = 28W T5 54 = 54W T5 HO	<b>120</b> VOLTAGE UNV = 120/277V 120 = 120V 277 = 277V 347 = 347V	<b>PI</b> BALLAST TYPE PG = Electronic T5 Program Start PI = Electronic T5 Instant Start PF = T5 Power Spec Dimming* *Not available in 347V.	<b>Options</b>
--	--	---	--	---	---	---	----------------

### OPTIONS/ACCESSORIES

**STEM AND CANOPY SETS:** Suspend luminaire 12", 18", 24", 36", or 48" from surface. (Two per luminaire is recommended. For 34" and 46" STB Strip only.) Catalogue number: **SV5F12** (12"); **SV5F18** (18"); **SV5F24** (24"); **SV5F36** (36"); **SV5F48** (48")

**CHAIN HANGING KIT:** Includes two 5' heavy duty link chains with sturdy "V" hook for fixture suspension. (34" and 46" STB Strip only.) Catalogue number: **EE9HC**  
**WIRE GUARD:** Galvanized wire guard. Catalogue number: FOR SV STRIP T5 34": **SV5GXG3**  
FOR SV STRIP T5 46": **SV5GXG4**  
**REFLECTORS:** Consult specification sheet (folio FI-0560-03 and FI-0565-03)

**RADIO INTERFERENCE FILTER:** 120, 277 or 347 volt, 50 or 60 Hz. SUFFIX: **R**  
**ROCKER SWITCH:** SUFFIX: **H**  
**CONVENIENCE OUTLET:** SUFFIX: **CO**  
**BALLAST OPTIONS:** For other ballast options, consult ballast specification sheet (folio BA-1-02)

### SPECIFICATIONS

**MATERIALS:** Chassis parts are die-formed heavy gauge cold rolled steel, 1 3/8" deep x 2" channel width.  
**FINISH:** Chassis exterior - phosphate undercoating, baked white acrylic matte high reflectance paint finish.

**ELECTRICAL:** 3" of ballast u  
**LABELS:** Listed

### AMERISIS LIGHTING CORP.

PROJECT : Living Shangri la, Level 6  
TYPE : L6-18  
DESC : CFI SV4 S228 120  
LAMP : T5/27K  
Location: Ladies washrooms

page 2 of 2

We reserve the right to change, materials and finish in any way that will not alter installed

**CFI FLUORESCENT**

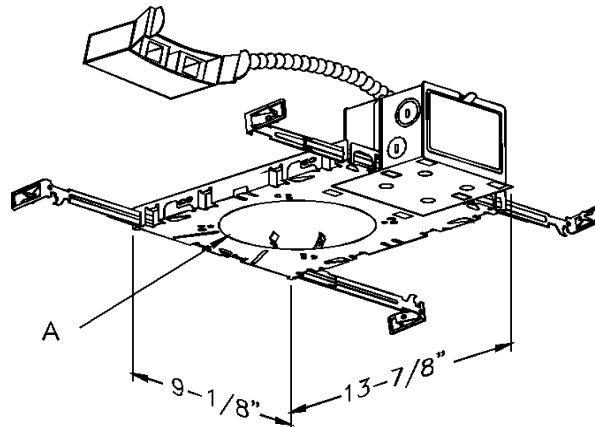
COWLYTE

525 EDUCATION RD., CORNWALL, ONTARIO K6H 6C7  
TEL.: (613) 938-6221 • FAX: (613) 938-0961

6 3/4" aperture Low Profile  
Compact Fluorescent  
Standard Frame-In-Kit (Non-IC)

Lytrecaster  
Recessed Downlight

1102T



Complete fixture consists of Reflector Trim & Frame-in Kit. Select each separately

FRAME-IN-KIT	LAMPS	BASE	BALLAST	VOLT	TOTAL WATTS	INPUT CURRENT
1102TH1	2x13W TT	2 Pin (Gx23)	Magnetic HPF	120V	33	0.280A
1102TH3	2x13W TT	2 Pin (Gx23)	Magnetic HPF	347V	35	0.105A
1102T13HF120	2x13W QT	4 Pin (G24q-1)	Electronic	120V	33	0.13A
1102T13HF347	2x13W QT	4 Pin (G24q-1)	Electronic	347V	34	0.10A
1102T18HF120	2x18W QT	4 Pin (G24q-2)	Electronic	120V	34	0.28A
1102T18HF347	2x18W QT	4 Pin (G24q-2)	Electronic	347V	38	0.152A
1102T26HF120	2x26W QT	4 Pin (G24q-3)	Electronic	120V	54	0.48A
1102T26HF347	2x26W QT	4 Pin (G24q-3)	Electronic	347V	54	0.165A

**Features**

**Mounting Frame** : .036" galvanized steel. Accommodates all ceilings up to 1" thick. Four slots are positioned 90° apart to simplify alignment.

**Rotoclips** : Easy reflector trim installation. Push-in / twist-out Rotoclips hold reflector flush to ceiling.

**Mounting Bars** : (4) 18 ga. galvanized steel. 13" long bars extend to 27" , rotatable and lockable, integral t-bar tabs. Spike detail eliminates the need of additional nailing. Attaches to wood joist or T-bar without need of accessories.

**Mounting Bars Locking Clip** : (1) locks mounting bars in place. Additional clips are sold separately (0098 set of 12)

**Socket Housing** : 22 ga. galvanized spring steel; snap-in quick assembly for precise lamp location.

**Socket** : Molded thermoplastic. Pre-wired with #18 ga. SEW leads to junction box.

**Junction Box** : 4"x 3"x 2" 18 ga. galvanized steel . CSA certified for maximum of 8 No. 12 ga. 90° C through branch circuit conductors. Integral cable clamp permit attachment of non-metallic Loomex without need of additional connectors. Pry-out knock-outs accept BX cable. Easy access from both sides with snap-on covers.

**Ballast** : Thermally protected, HPF, 2 lamp ballast, magnetic or electronic, class-P rated. 120 or 347 volts.

**Accessories**

**Mounting Bars Extenders** : 1964  
20" long (set of 2)

**Mounting Bar Locking Clips** : 0098  
To lock mounting bars in place after installation. Set of 12.

**Step Down Transformer**  
7997VA100 : Step Down from 347V to 120V : 100W Max.

**Reflector Trim**

Accepts all Low Profile reflector trims : see Reflector Trim specification sheets.

**Electrical**

Refer to "Ballast" sheet for complete ballast electrical data and latest lamp / ballast compatibility.

**Labels : CSA**

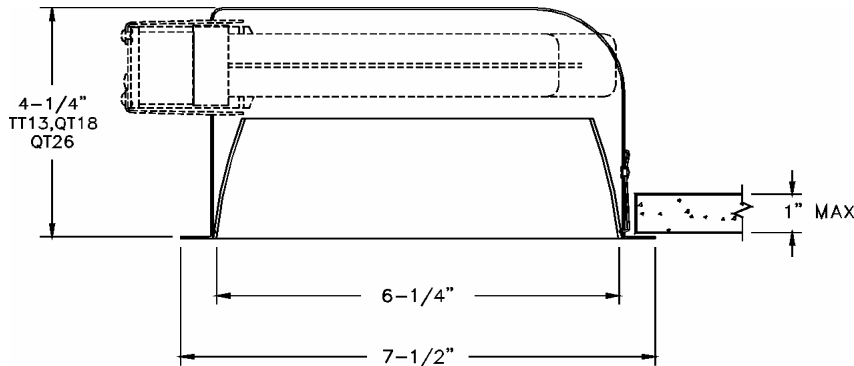
Damp or Wet location rated depending on Trim used.

AMERISIS LIGHTING CORP.  
PROJECT : Living Shangri la, Level 6  
TYPE : L6-24  
DESC : LITO 1102TH1 / 1105TCL  
LAMP : 2 X PL13 (Gx23)  
Location: A V Corridor



**Lytceaster  
Recessed Downlight**

**1105TCL**



Ceiling Opening : 6 3/4"

Complete fixture consists of Reflector Trim & Frame-in Kit. Select each separately

**REFLECTOR TRIM**

<b>1105TCL</b>	Specular Clear Alzak
<b>1105TCCD</b>	Confort Clear Diffuse

**RECESSED FRAME-IN-KIT**

<b>1102TH1</b>
<b>1102TH3</b>
<b>1102T13HF120</b>
<b>1102T13HF347</b>
<b>1102T18HF120</b>
<b>1102T18HF347</b>
<b>1102T26HF120</b>
<b>1102T26HF347</b>
<b>1102T18HM120-EOL</b>
<b>1102T18HM347-EOL</b>
<b>1102T26HM120-EOL</b>
<b>1102T26HM347-EOL</b>

**LAMP**

<b>2-13W TT</b>
2-13W TT
2-13W QT
2-13W QT
2-18W QT
2-18W QT
2-26W QT
2-26W QT
2-18W QT *
2-18W QT *
2-26W QT *
2-26W QT *

**VOLT**

<b>120V</b>
347V
120V
347V
120V
347V
120V
347V
120V
347V
120V
347V

**BASE**

<b>GX23 (2pin)</b>
GX23 (2pin)
G24q-1 (4pin)
G24q-1 (4pin)
G24q-2 (4pin)
G24q-2 (4pin)
G24q-3 (4pin)
G24q-3 (4pin)
G24d-2 (2pin)
G24d-2 (2pin)
G24d-3 (2pin)
G24d-3 (2pin)

\* Use only lamps with " End Of Life " protection.

**SURFACE DRUM**

<b>CS1102T26HF120</b>
<b>CS1102T26HF347</b>

**LAMP**

2-26W QT
2-26W QT

**VOLT**

120V
347V

**BASE**

G24q-3 (4pin)
G24q-3 (4pin)

**Features**

**Reflector:** Hydroformed aluminum, .040" thick ; white gloss finish on inside and trim flange.

**Cone:** Hydroformed aluminum, .080" thick.

**Frame-In-Kit**

**Note:** For complete Frame-In-Kit specifications, see sheet 1102T and CS1102T

**Accessories**

**Retaining clips:** 1955 (set of 100) For installation in existing ceilings.

**Extra Wide Flange Trim Ring:** 1954 ; For most 1100 series Reflector Trim. O.D. 8 5/8".

**Labels : CSA**

Suitable for damp locations.

AMERISIS LIGHTING CORP.  
 PROJECT : Living Shangri la, Level 6  
 TYPE : L6-24  
 DESC : LITO 1102TH1 / 1105TCL  
 LAMP : 2 X PL13 (Gx23)  
 Location: A V Corridor  
 page 2 of 2

