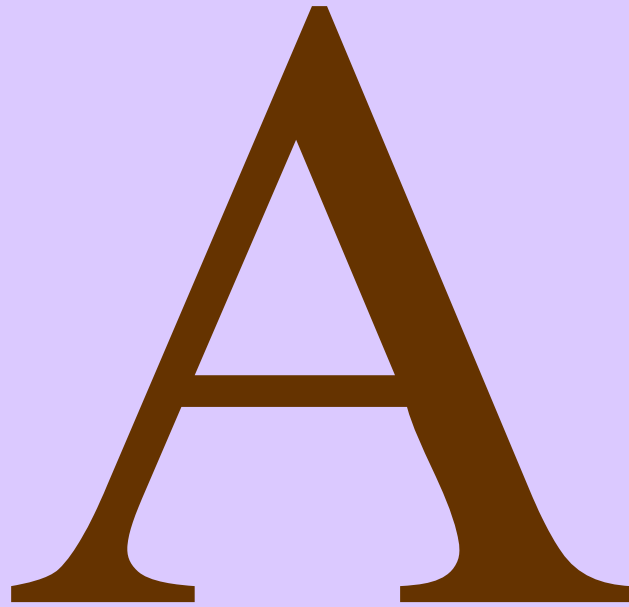


AMERISIS LIGHTING



A·mer·i·sis [ə-mĕr'ĭ-sĭs]: noun

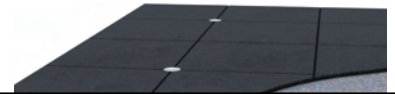
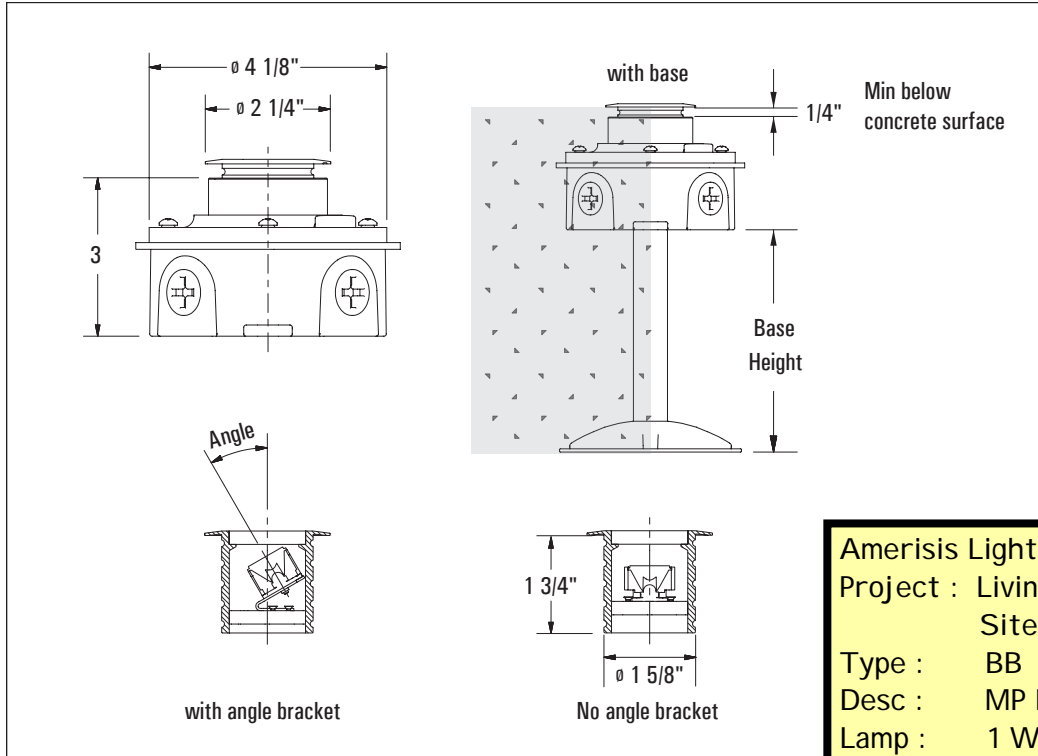
**Living Shangri la
Site Lighting
October 2 2007**

TYPE	DESCRIPTION	LEVEL	LOCATION	QTY LAMP	LAMP
BB	MPL LED01-1W-WWH-30-FR-30-0 (FIXTURE)	SITE	IN STAIR RISERS	0	INCLUDED
BB	MPL EBX1 LED01 OCLA	SITE	IN STAIR RISERS	0	N/A
BB	MPL LED12W350S (DRIVER)	SITE	IN STAIR RISERS	0	N/A
BB1	BK LIGHTING SS-0-BLP-B / LET 60 120/12	SITE	BENCHES ON GEORGIA	1	35MR16NFL10K
CC	BK LIGHTING NS-0-BLP//LET60 120/12 TO BE CONFIRMED WITH NEL	SITE	TREES	1	50MR16 NFL 10K
CC1	BK LIGHTING AW-0-NAT-9 C/W CONCRETE POUR COLLAR	SITE	VINE LIGHTING	1	50MR16 NFL 10K
CC2	SYSTEMALUX S3546-120 8 DEGREE SPOT	SITE	DRIVE ENTRY	1	20W MH
CC5	BK LIGHTING NS-0-BLP//LET60 120/12 TRANSFORMER TBC NEL	SITE	BAMBOO	1	50MR16 10K NFL
CC6	BK LIGHTING AW-0-NAT-9 /LET60 120/12	SITE	VINE LIGHTING	1	50MR16 NFL 10K
CC8	BK LIGHTING EV-0-BLP-10-11-A-120	SITE	WATER GARDEN TREE	1	35PAR20 MH 30* FL
DD	SYSTEMALUX S3566-120 8 DEGREE	SITE	CHURCH BUTTRESS (SECOND SHIPMENT)	1	8 DEGREEE33MHPAR20
DD	HYDREL 6000-A-300Q-120-SP-FLC10-34BNPT-DEL	SITE	CHURCH BUTTRESS (BUSBY SPEC)	1	250 PAR 38
DD2	LITO 1102TH1/128T	SITE	ABOVE BRIDGE BESIDE PLATFORM EL.	2	
DD3	STANPRO WALL KING WHC-D-F-32-VOLT	SITE	EXIT DOORS	1	32W CF
DD4	MPL LED01-1W-WWH-30-FR-0-0-SS316 (FIXTURE)	SITE	GRAZING WALL	1	1W LED INCLUDED
DD4	MPL LED12W350S (DRIVER)	SITE	DRIVER		N/A
E	DASAL 2-020F-120/ 2-120-01-SA	SITE	PLATFORM ELEVATOR SOFFT	1	50MR16NFL 10000K
GG1	CFI SS4S 154T5HO UNIT PG	SITE	LIVE WORK STAMPED METAL PANEL	1	F54 T5 HO
HH	CUSTOM FLOOR LANTERN	SITE	L1 GALLERIA		TBA
KK4	LITO 4X412632HG120 / 4X4PLCCLP/1951	SITE	LIVE WORK LOBBY SOFFT	1	26 TRT (GX24q-3)
KK7	LITO CS8226324H-G-120-MT / 8038MG / 1951	SITE	L1 SOFFT	2	42 3000K
LL2	10 LINE 75 -03-S-O-E-3K-45-100-1-LENGTH-XX-120-X 410' (1) 54' (2) 104' (1) 46' (26+26+12+12) (17+17)	SITE	HANDBAIL	1	INCLUDED
PP	LITO C4LVEIRM / CAMR WC LW / 1951	SITE	SHANGRI LA MODEL	1	
PP1	INTENSE IVT101 ST TR PFL INTERNAL TRANSFORMER	SITE	ROCK NEAR RESTAURANTS	1	50MR16SP 10K
R1	LITO 4X412632HG120 / 4X4PLCCLP/1951	SITE	GRAZING STONE	1	PL26TTT/35 (G24q-3)
RR	CRU BUILDING LIGHTING TBA	SITE	CRU BUILDING LIGHTING		TBA
RR1	ART GALLERY (50'+60' TRACK) 10 HEADS BK CUSTOM CA \$10,000	SITE			TBA
RR2	BK LIGHTING VERSA STAR VS-0-SAP-9	SITE	RESTAURANT CANOPIES	1	50MR16 NFL 10K
TT	TVVOFLEX TVFX-150-.5-W-120	SITE	UNDER SIDE OF STAIRS	1	INCLUDED
TT1	LIGHTWILD LINEAR JR. LW-SL-320857-3K LENGTH TO SUIT (REQUIRES POWER SUPPLY)	SITE	UNDER BRIDGE	1	LED INCL.
WW1	TVVOFLEX TVFX-150-.5-B-120	SITE	UNDER WATER GARDEN DECK	1	INCLUDED

LED 01

LED

TYPE :
 PRODUCT# :
 PROJECT :
 VOLTAGE :
 COLOR :
 OPTION :
 MODIFIED :



Amerisis Lighting Corp.
 Project : Living Shangri la
 Site
 Type : BB
 Desc : MP LED01 1W WWH30 FR 30 O SS
 Lamp : 1 W LED
 Location In stair risers page 1 of 2

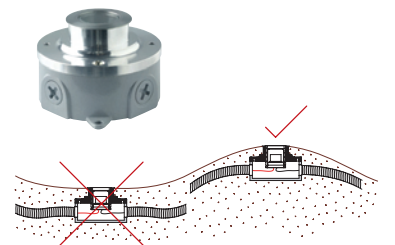
APPLICATION: Directional or indicator light for up lighting walls, columns and signage from the ground.

SOURCE: 1 watt LED powered by remote 350mA driver.

MATERIALS: Machined anodized aluminum or stainless steel trim with tempered 1/4" frosted or clear glass lens, suitable for walk-over and drive over applications.

MOUNTING: Comes with splice box, aluminum flange plate and level gauge. Can be buried in earth/gravel or cast into concrete with or without mounting base.

APPROVAL: Wet and dry locations. Approved to UL standards by CSA/US.

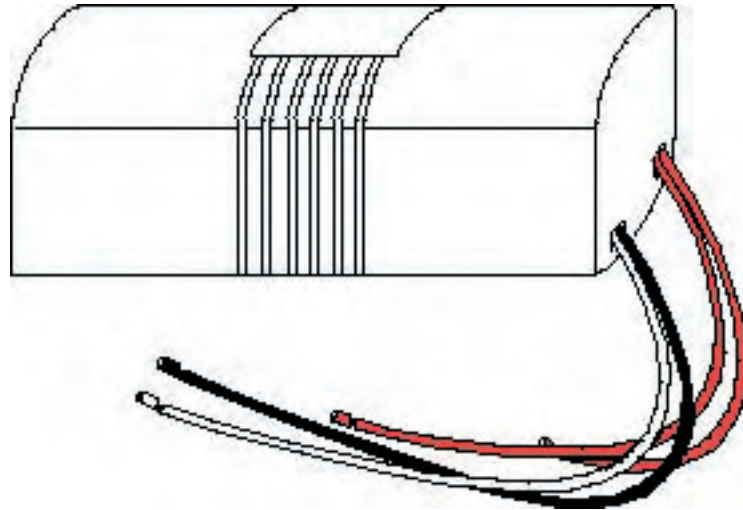


note: fixture should be installed on a level or slightly raised surface so water does not pool or submerge fixture

STYLE	WATTAGE	COLOR	DISTRIBUTION	LENS	ANGLE BRACKET	MOUNTING	FINISH
LED01							
	1 = 1W	WH: WHITE WWH: WARM WHITE AM: AMBER RD: RED BL: BLUE GR: GREEN	12: 12° BEAM 30: 30° BEAM 110: 110° BEAM 140: 140° BEAM	CL: CLEAR FR: FROSTED	0: NO BRACKET 30: 30° ANGLE BRACKET XX: CUSTOM ANGLE BRACKET	0: NO BASE 2: 2" BASE 6: 6" BASE X: CUSTOM BASE	CLA: CLEAR ANODIZED BKA: BLACK ANODIZED SS: STAINLESS STEEL

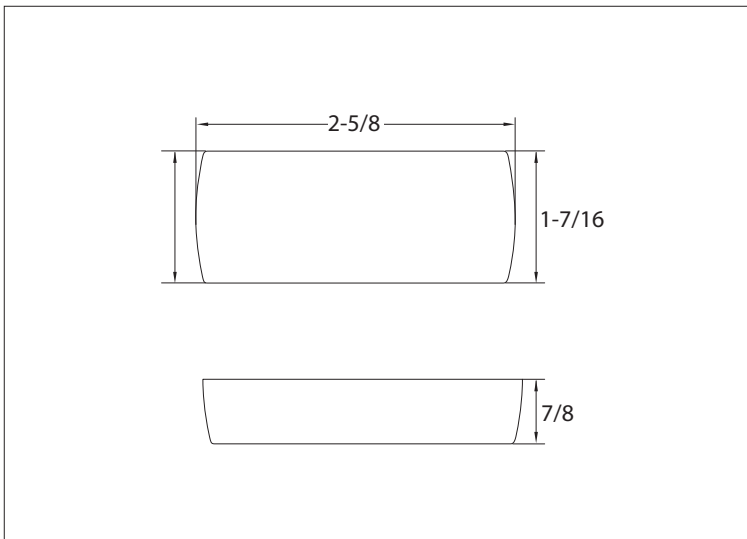
LED

LED12W350S

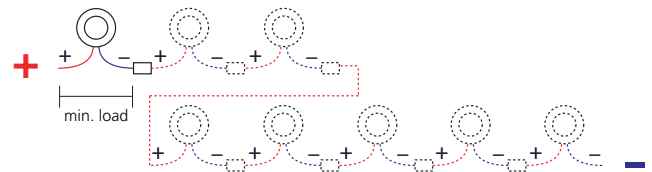


MAXIMUM WIRING DISTANCE

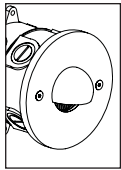
10 AWG 5.6 mm ²	12 AWG 3.3 mm ²	14 AWG 2.0 mm ²	16 AWG 1.3 mm ²	18 AWG .78 mm ²
714'	420'	275'	180'	108'



Amerisis Lighting Corp.
 Project : Living Shangri la Site
 Type : BB
 Desc : MP LED12W350 (driver)
 Lamp :
 Location
 page 2 of 2



Load of 1 watt LEDs



MR16

STEP STAR™

PROJECT:	
TYPE:	
CATALOG NUMBER:	
LAMP(S):	
NOTES:	

CATALOG NUMBER LOGIC



Example: **B** - **SS** - **MR** - **1** - **MAC** - **B** - **TP**

Material

- Blank - Aluminum
- B - Brass

Series

- SS - Step Star™

Optics

- MR - MR16

Lamp

- 0 - By Others
- 1 - ESX(20W), 12° Spot
- 3 - FRB(35W), 12° Spot
- 15 - EYR(42W), 12° Spot
- 6 - EXT(50W), 13° Spot

Finish

Aluminum & Brass Finish

Powder Coat Color	Satin	Wrinkle
Bronze	BZP	BZW
Black	BLP	BLW
White (Gloss)	WHP	WHW
Aluminum	SAP	—
Verde	—	VER

Brass

Machined	MAC
Polished	POL
Mitique™	MIT

Also available in Premium Finishes
See submittal SUB-1439-00 for Premium Finishes

Cutoff

- A - 68° Cutoff (Short)
- B - 90° Cutoff (Long)

Options

- AJ - Adjustable Lamp Bracket
- TP - Thermal Protection (20W Max. Lamp)

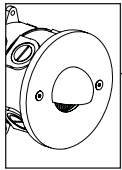
LIVING SHANGRI LA
SITE LIGHTING
TYPE BB1
DESC BK STEP STAR SS-0-BLP-B
LAMP 1 X 35W MR16 NFL 10,000 HR
LOCATION BENCHES ON GEORGIA

LAMP DATA

BK No.	Lamp Watts	Description	Rated Life (hrs.)	Center Beam Candlepower	Beam Angle	Beam Type
1	20	ESX	3,000	4,300	12°	Spot
3	35	FRB	4,000	8,000	12°	Spot
15	42	EYR	4,000	8,200	12°	Spot
6	50	EXT	5,000	10,500	13°	Spot

B-K LIGHTING	40429 Brickyard Drive • Madera, CA 93636 • USA	SUBMITTAL DATE	DRAWING NUMBER
	559.438.5800 • FAX 559.438.5900 www.bklighting.com • info@bklighting.com	2-26-07	SUB-1496-00

THIS DOCUMENT CONTAINS PROPRIETARY INFORMATION OF B-K LIGHTING, INC. AND ITS RECEIPT OR POSSESSION DOES NOT CONVEY ANY RIGHTS TO REPRODUCE, DISCLOSE ITS CONTENTS, OR TO MANUFACTURE, USE OR SELL ANYTHING IT MAY DESCRIBE. REPRODUCTION, DISCLOSURE OR USE WITHOUT SPECIFIC WRITTEN AUTHORIZATION OF B-K LIGHTING, INC. IS STRICTLY FORBIDDEN.

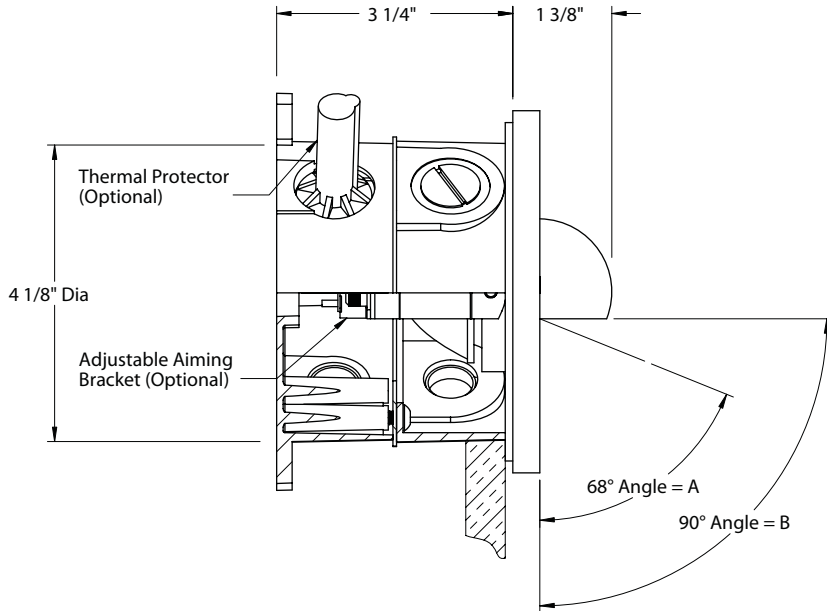


MR16

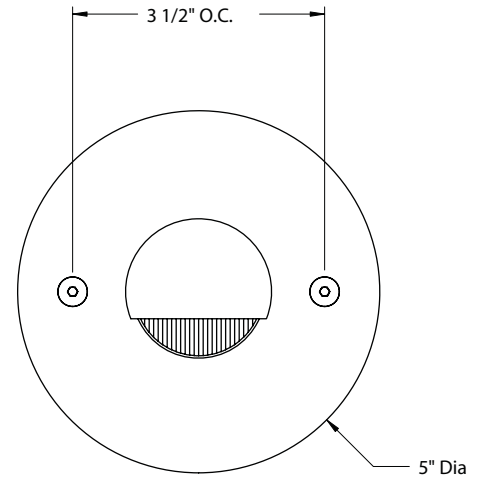
STEP STAR™

PROJECT:	
TYPE:	

SIDE VIEW



FACEPLATE DETAIL



LIVING SHANGRI LA
 SITE LIGHTING
 TYPE BB1
 DESC BK STEP STAR SS-0-BLP-B
 LAMP 1 X 35W MR16 NFL 10,000 HR
 LOCATION BENCHES ON GEORGIA

SPECIFICATIONS

Back Box

Round, 4-1/4" dia. x 3-1/8" deep, cast aluminum construction with [2] mounting tabs. Front access for wire connection and inspection. Provided with [5] 1/2" NPS tapped holes and [4] plugs. Suitable for concrete pour.

Faceplate

Copper-free, cast aluminum construction with machined finish. Also available in solid machined brass. Countersunk holes provide for flush hardware mounting with [2] tamper-resistant, black oxide, stainless steel mounting screws. Stainless steel universal mounting ring for faceplate adjustment and 1/8" thick HT-805A silicone foam gasket with acrylic adhesive for water-tight seal.

Lamp

For use with bi-pin MR16 lamps.

Installation

For use with 50 watt maximum lamp when installed into non-combustible materials or with 20 watt maximum lamp in stud wall construction (requires optional thermal protection).

Transformer

For use with remote transformer.

Lens

Heat treated rectilinear lens provides wide lateral distribution and long forward throw.

Aiming & Control

Choice of 90° or 68° optical cutoff for mounting heights well below typical visual glare angles.

Optional adjustable lamp bracket provides up to 24° vertical aiming, captive thumb screw and quick release bracket to maintain optical alignment during re-lamping.

Socket

Specification grade, ceramic body, miniature bi-pin quartz lamp holder. GU5.3 base. Nickel alloy contacts and heat resistant, spring loaded, stainless steel lamp retaining clips.

Wiring

Teflon® coated wire, 18AWG, 600V, 250° C rated and certified to UL 1659 standard.

Finish

StarGuard® (Pat. Pend.), an environmentally friendly 15 stage chromate-free process cleans and conversion coats aluminum components prior to application of Class 'A' TGIC polyester powder coating. Brass components are available in powder coat or handcrafted metal finish.

Warranty

5 year limited warranty.

Listings

ARL and CSA listed.



B-K LIGHTING

40429 Brickyard Drive • Madera, CA 93636 • USA
 559.438.5800 • FAX 559.438.5900
 www.bklighting.com • info@bklighting.com

SUBMITTAL DATE
 2-26-07

DRAWING NUMBER
 SUB-1496-00

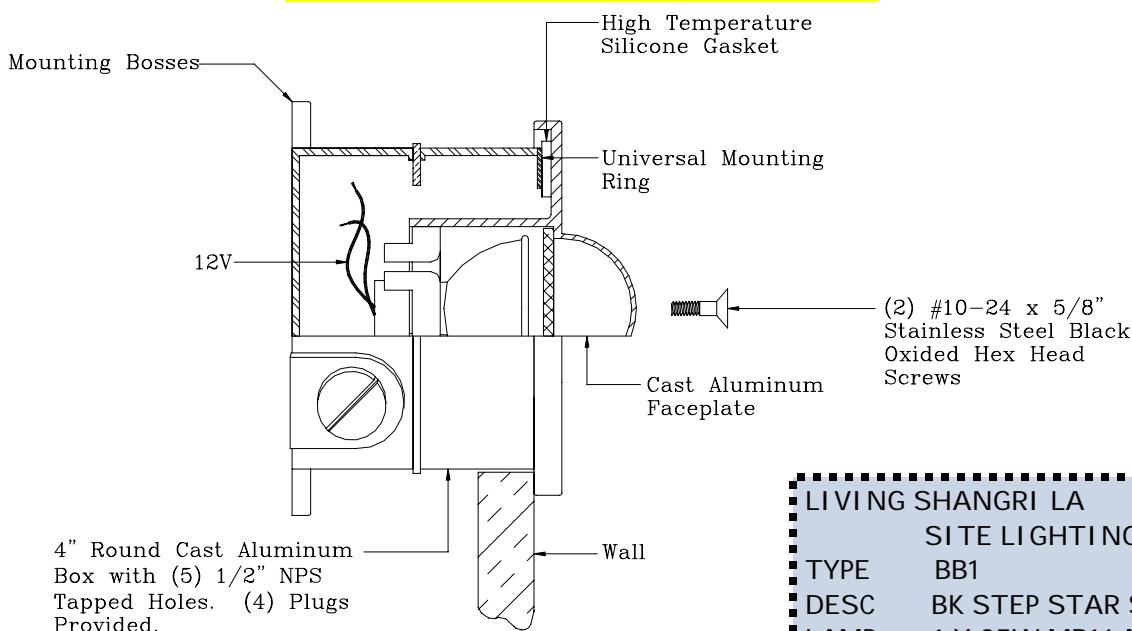
B-K LIGHTING, INC.

40429 Brickyard Drive, Madera, CA 93638. Phone: (559) 438-5800
 http://www.bklighting.com

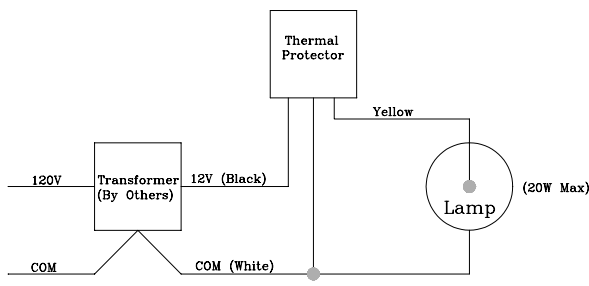
IMPORTANT SAFETY INFORMATION – READ, FOLLOW, AND SAVE ALL SAFETY AND INSTALLATION INSTRUCTIONS

- Product must be installed by a Licensed Electrician in a manner consistent with its intended use, and in compliance with the National Electrical Code, Canadian Electrical Code, and all Local and Provincial Codes.
- Follow product label information and instructions.
- Qualified Personnel must perform all servicing or relamping of this product.
- Before wiring to power supply and during servicing or relamping, turn off power at fuse or circuit breaker before service.
- The use of accessory equipment not recommended by the manufacturer or installed contrary to instructions may cause an unsafe condition. The use of damaged components may cause an unsafe condition and void product warranty.
- Do not block light emanating from product in whole or part, as this may cause an unsafe condition.
- Never operate the fixture with missing or damaged lens. Lens must be cleaned on regular basis.
- Lighted lamp gets hot very quickly. Allow it to cool before replacing lamp.
- Entire fixture may become extremely hot. Do not touch hot lens or fixture body. Do not touch the lamp at any time. Use a clean, dry, soft cloth to handle the lamp. Oil from skin may damage the lamp and cause it to rupture.
- Replace lamp only with correct wattage and type of lamp marked on fixture label.
- All gaskets, o-rings, and sealing surfaces must be kept clean during installation and service, failure to do this may cause an unsafe condition and void product warranty.

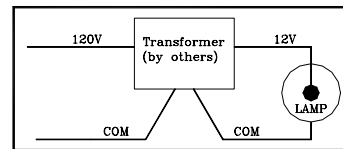
STEP STAR INSTALLATION INSTRUCTIONS



LIVING SHANGRI LA
 SITE LIGHTING
 TYPE BB1
 DESC BK STEP STAR SS-0-BLP-B
 LAMP 1 X 35W MR16 NFL 10,000 HR
 LOCATION BENCHES ON GEORGIA



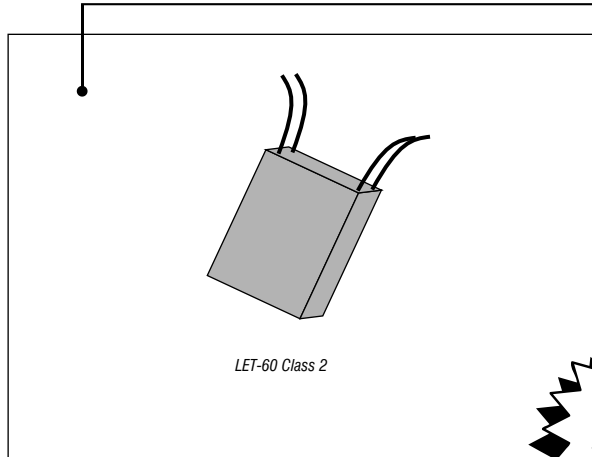
WIRING DIAGRAM (THERMAL PROTECTOR OPTION)



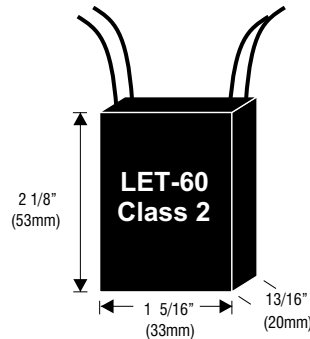
WIRING DIAGRAM

1. Install 4" round cast j-box supplied into finished surface. Use mounting bosses on back box for mounting with hardware (by others).
2. Remove faceplate and install maximum 50W MR16 lamp (20W maximum with thermal protection).
3. Pull 12V wiring from remote transformer and make electrical connections to lamp leads using proper wire connectors (by others).
4. Install fixture to universal mounting ring utilizing (2) #10-24 stainless steel, black-oxide hex head cap screws supplied.

LET-60 Class 2 (Mini Electronic Transformer)



Recommended for replacement only



SPECIFICATIONS

UL File Numbers

UL and C-UL Recognized
UL FILE # E 193999

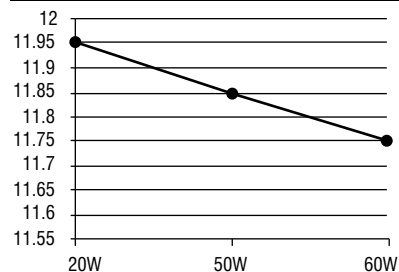
Mechanical and Thermal

Dimensions	20mm x 33 mm x 53 mm
Weight	3 ounces
Lead wire length	6"
Δ T	40 °C
Max. Ambient temp.	50 °C
Output wire – Blue – 14AWG	200°C
Input wire – White/Black – 18AWG	150°C
Waterproof potting	

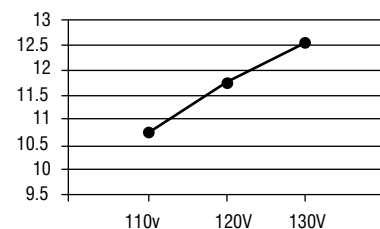
Electrical

Maximum load	60W
Minimum load w/o dimmer	10W
Minimum load with dimmer	20W
Input	120V 60Hz
Output at max. Load	11.75V 40kHz
Input current at max. Load	0.5A
Output current at max. Load	5A
Power factor min.	0.95
Dimmable	

Output Voltage vs. Load at 120V



Output vs. Input at Max. Load



Short Circuit and Thermal Protection

Electronic internal resettable protection.
Patent pending auto heat regulation that also automatically acts as overload protection.
Thermal auto-reset 125°C switch.



LIVING SHANGRI LA
SITE LIGHTING
TYPE BB1
DESC DASAL LET60 CLASS 2
LAMP N/A
LOCATION BENCHES ON GEORGIA

For Remote Transformers
See Sheets TRSS Series, TR Series,
Power Pipe, Power Pipe II or Power
Canopy in Accessory Section.

CATALOG NUMBER LOGIC

EXAMPLE: NS - 9 - WHP - 9 - 11

Series: _____

Lamp Type: _____

- 0 - By Others
- 1 - ESX(20W), 12° Spot
- 2 - BAB(20W), 40° Flood
- 3 - FRB(35W), 12° Spot
- 4 - FRA(35W), 23° N. Flood
- 5 - FMW(35W), 40° Flood
- 15 - EYR(42W), 12° Spot
- 16 - EYS(42W), 25° N. Flood
- 17 - EYP(42W), 40° Flood
- 6 - EXT(50W), 13° Spot
- 7 - EXZ(50W), 26° N. Flood
- 8 - EXN(50W), 40° Flood
- 9 - FNV(50W), 60° W. Flood

Finish: _____

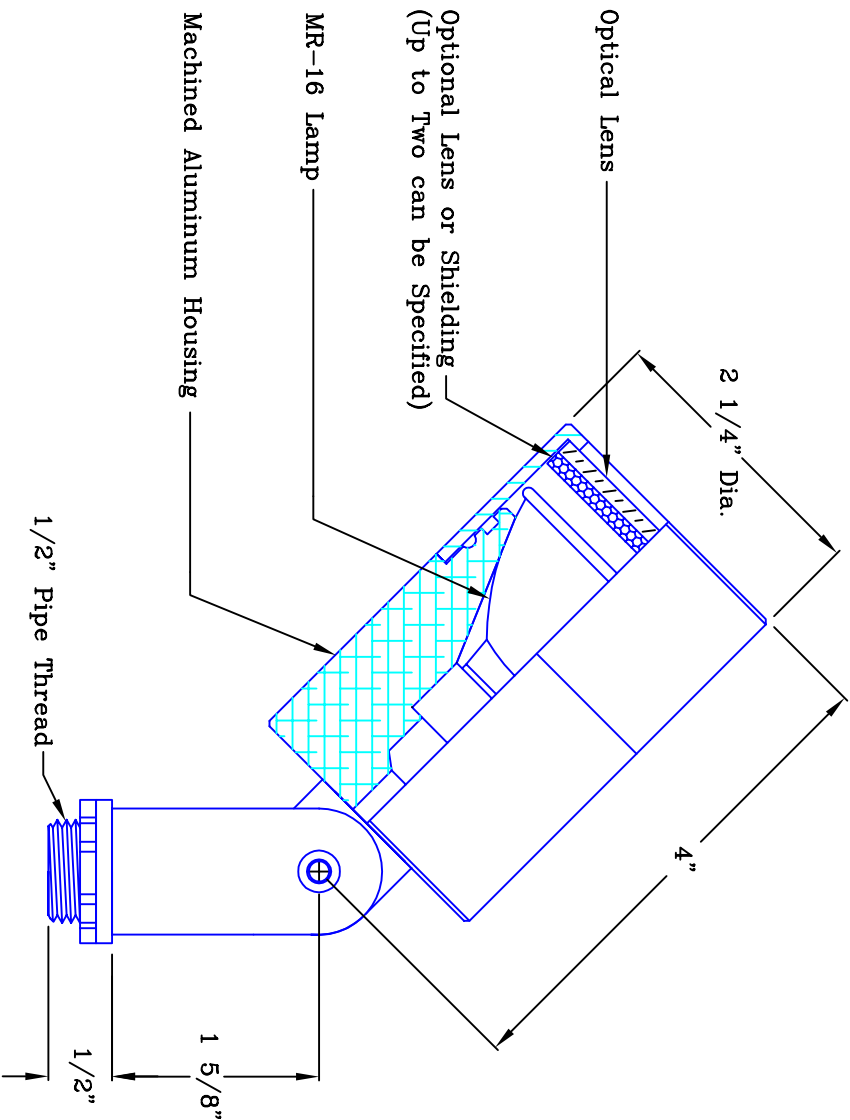
Finish	Satin	Wrinkle
Powdercoat	BZP	BZW
Bronze	BLP	BLW
Black	WHP	WHW
White (Gloss)	SAP	---
Aluminum	---	---
Verde	---	VER

Lens Type: _____

- 9 - Clear (Standard)
- 10 - Spread
- 12 - Soft Focus
- 13 - Rectilinear

Shielding: _____

- 11 - Honeycomb Baffle



Features:

- All Precision Machined Aluminum Construction.
- Mounting Knuckle Allows Vertical to Horizontal Aiming Provides Integral Wireway.
- MR-16 Lamp Holder With 250°C, 18 Ga. Wire Leads (Leads Extend 6" Beyond Mounting Knuckle).
- Utilizes any MR-16 Lamp Up To 50 Watts.
- Completely Sealed Optical Compartment, Clear Tempered Glass Lens, Factory Sealed.
- Tamperproof Design. Utilizes a single, Flush Mtd., Hex Polyester Powdercoat Finishes Standard. (Specify).

Amerisic Lighting Corp.

Project : Living Shangri la Site

Type : CC

Desc : BK NS-O-BLP

Lamp : 1 X 50 MR16/NFL 10,000

Location TREES

** requires remote transformer **

available in Machined Brass. Prefix Series Designation with 'B', Specify 'NAT' for Natural Brass, 'POL' for Polished Brass, 'MIT' for Mitique Brass or Powdercoat Color in Finish Section of the Catalog Number. See the 'B-K Brass' Brochure for Additional Details.

NITE STAR™

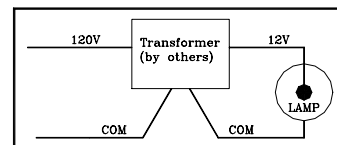
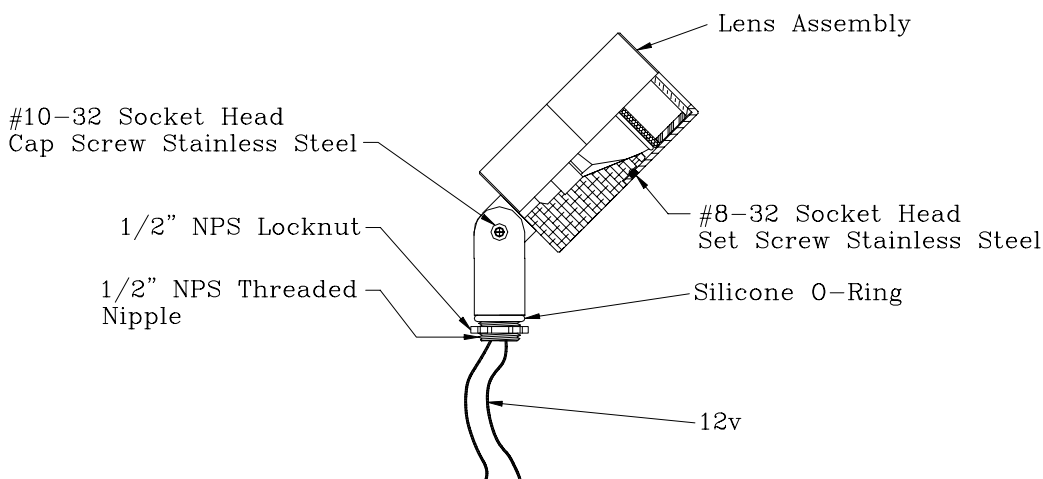
B-K LIGHTING, INC.

40429 Brickyard Drive, Madera, CA 93638. Phone: (559) 438-5800
http://www.bklighting.com

IMPORTANT SAFETY INFORMATION – READ, FOLLOW, AND SAVE ALL SAFETY AND INSTALLATION INSTRUCTIONS

- Product must be installed by a Licensed Electrician in a manner consistent with its intended use, and in compliance with the National Electrical Code, Canadian Electrical Code, and all Local and Provincial Codes.
- Follow product label information and instructions.
- Qualified Personnel must perform all servicing or relamping of this product.
- Before wiring to power supply and during servicing or relamping, turn off power at fuse or circuit breaker before service.
- The use of accessory equipment not recommended by the manufacturer or installed contrary to instructions may cause an unsafe condition. The use of damaged components may cause an unsafe condition and void product warranty.
- Do not block light emanating from product in whole or part, as this may cause an unsafe condition.
- Never operate the fixture with missing or damaged lens. Lens must be cleaned on regular basis.
- Lighted lamp gets hot very quickly. Allow it to cool before replacing lamp.
- Entire fixture may become extremely hot. Do not touch hot lens or fixture body. Do not touch the lamp at any time. Use a clean, dry, soft cloth to handle the lamp. Oil from skin may damage the lamp and cause it to rupture.
- Replace lamp only with correct wattage and type of lamp marked on fixture label.
- All gaskets, o-rings, and sealing surfaces must be kept clean during installation and service; failure to do this may cause an unsafe condition and void product warranty.

NITE STAR II SERIES INSTALLATION INSTRUCTIONS

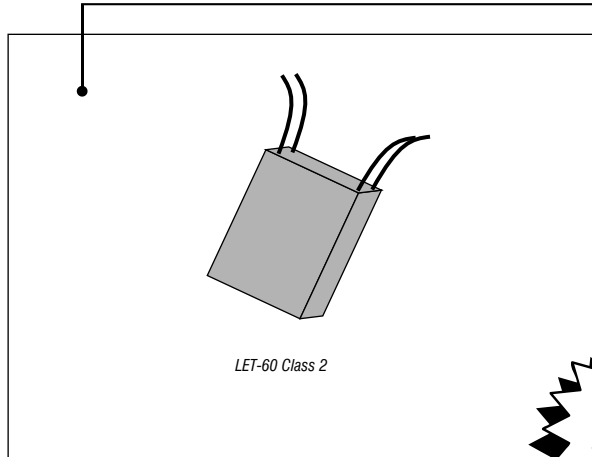


WIRING DIAGRAM

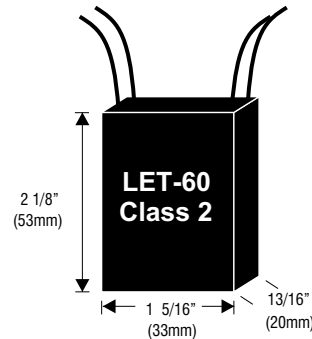
1. Install fixture to junction box with 1/2" NPS threaded nipple and locknut
2. Connect 12V wiring from remote transformer using the proper wire connectors for the installation (connectors by others).
3. Remove lens assembly and install maximum 50W MR16 lamp. Reinstall lens assembly.
4. Aim fixture and lock in place using stainless steel socket head cap screw.

TYPE CC INSTALLATION INSTRUCTIONS

LET-60 Class 2 (Mini Electronic Transformer)



Recommended for replacement only



SPECIFICATIONS

UL File Numbers

UL and C-UL Recognized
UL FILE # E 193999

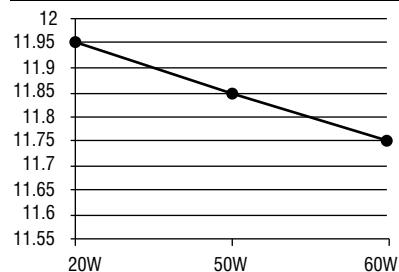
Mechanical and Thermal

Dimensions	20mm x 33 mm x 53 mm
Weight	3 ounces
Lead wire length	6"
Δ T	40 °C
Max. Ambient temp.	50 °C
Output wire – Blue – 14AWG	200°C
Input wire – White/Black – 18AWG	150°C
Waterproof potting	

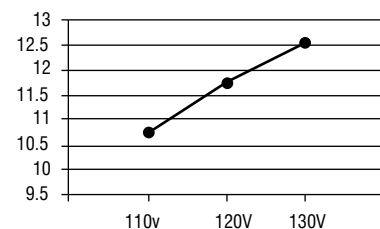
Electrical

Maximum load	60W
Minimum load w/o dimmer	10W
Minimum load with dimmer	20W
Input	120V 60Hz
Output at max. Load	11.75V 40kHz
Input current at max. Load	0.5A
Output current at max. Load	5A
Power factor min.	0.95
Dimmable	

Output Voltage vs. Load at 120V



Output vs. Input at Max. Load



Short Circuit and Thermal Protection

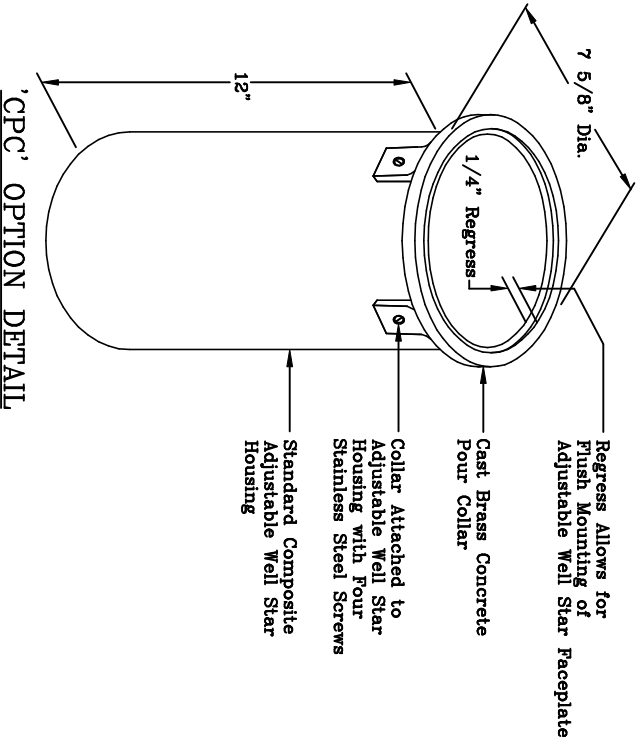
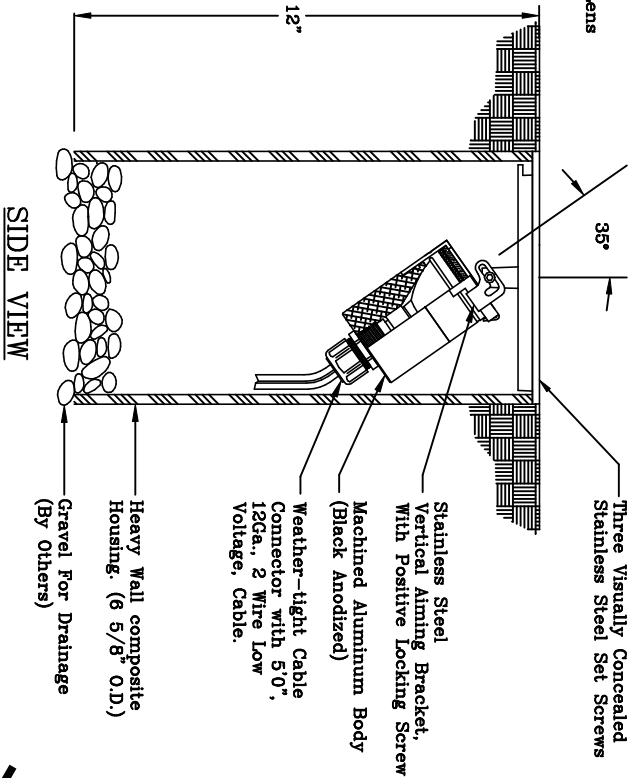
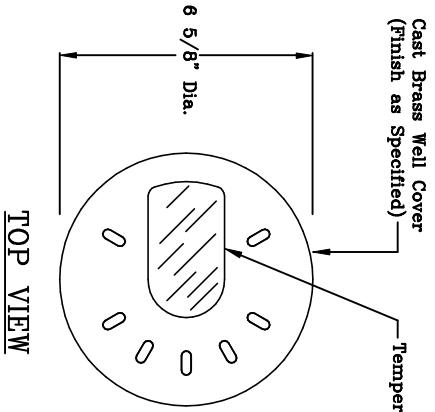
Electronic internal resettable protection.
Patent pending auto heat regulation that also

LIVING SHANGRI LA
SITE LIGHTING
TYPE CC
DESC DASAL LET60 CLASS 2
LAMP N/A
LOCATION TREES



Data and specifications subject to change without notice

Fixture Adjustable Over to 35°
From Vertical, and 360° Rotatable



CATALOG NUMBER LOGIC

EXAMPLE: AW - 9 - NAT - 10/11 - CPC

Series: AW 9 NAT 10/11 CPC

Lamp Type: 0 1 2 3 4 5 6 7 8 9

- 0 - By Others
- 1 - ESX(20W), 12° Spot
- 2 - BAB(30W), 40° Flood
- 3 - FRB(35W), 12° Spot
- 4 - FRA(35W), 23° N. Flood
- 5 - FAW(35W), 40° Flood
- 15 - EYR(42W), 12° Spot
- 16 - EYS(42W), 25° N. Flood
- 17 - EYP(42W), 40° Flood
- 6 - EXT(60W), 13° Spot
- 7 - EXZ(60W), 26° N. Flood
- 8 - EXN(50W), 40° Flood
- 9 - FNV(50W), 60° W. Flood

Finish:

Cast Brass	NAT
Unfinished	POL
Milique	MIT
Powdercoat	Wrinkle
Black	BLW
Bronze	BZW
White (Gloss)	WHW
Verde	VER

Accessories:

- 9 - Clear (Standard)
- 10 - Spread
- 12 - Soft Focus
- 13 - Rectilinear
- 11 - Honeycomb Batfle

Options:

CPC - Concrete Pour Collar (Must Be Factory Installed)

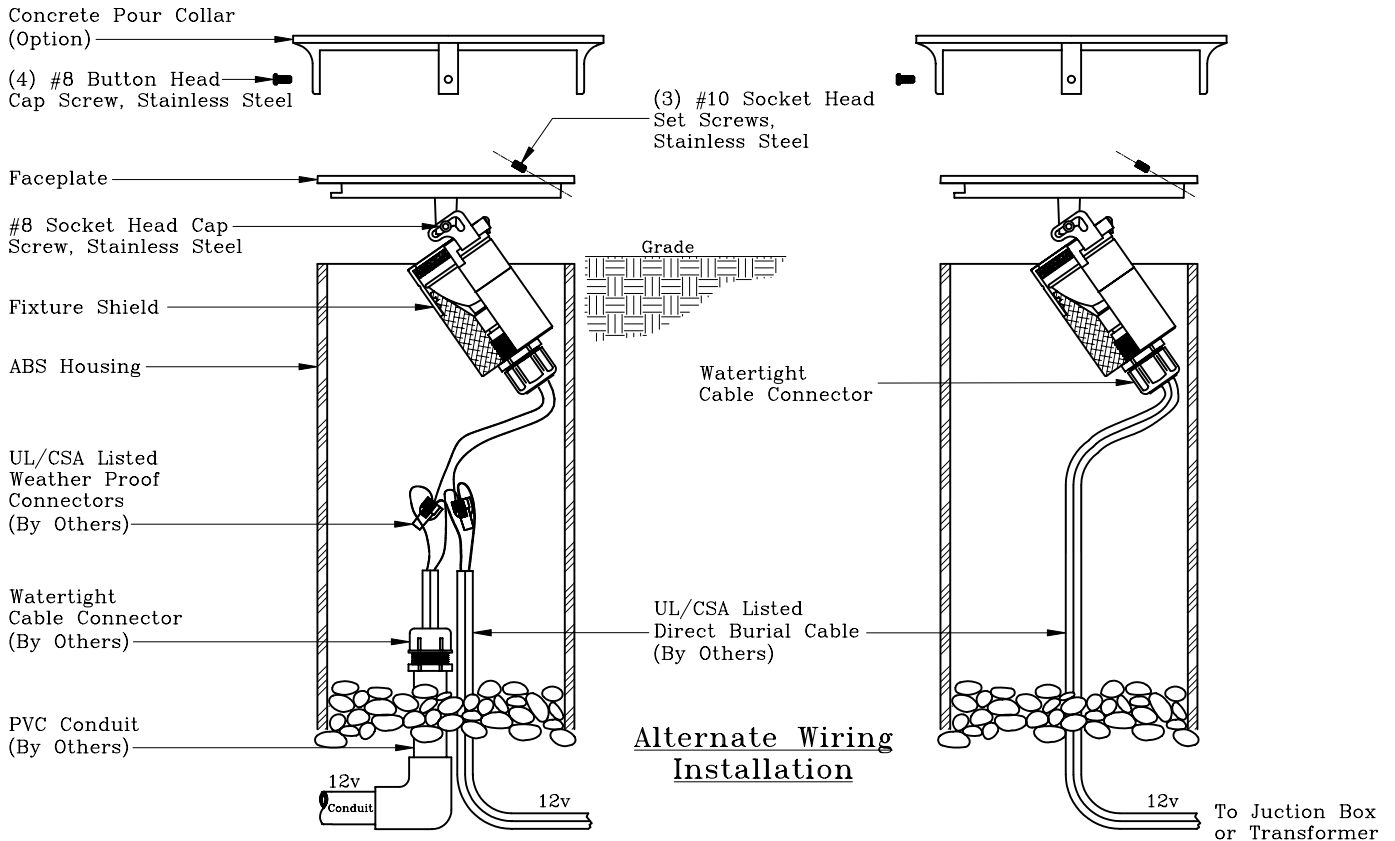
Amerisis Lighting Corp.
Project : Living Shangri la Site
Type : CC1
Desc : BK AW-0-NAT-9 -CPC
Lamp : 1 X 50MR16/NFL 10,000
Location VINE LIGHTING
** requires remote transformer **

For Remote Transformers
See Sheets TRSS Series, TR Series,
Power Pipe, Power Pipe II or Power
Canopy in Accessory Section.

ADJUSTABLE WELL STAR™

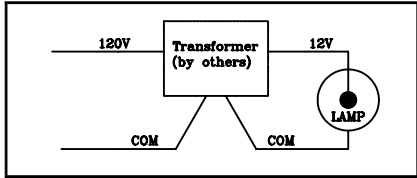


B-K LIGHTING, INC. INSTALLATION INSTRUCTIONS ADJUSTABLE WELL STAR SERIES



CAUTION: Installation must comply with the U.S. National Electrical Code or the Canadian Electrical Code and all Local and Provincial Codes.

- If unsure, contact a Licensed Electrical Contractor.
- Turn off power before installation.



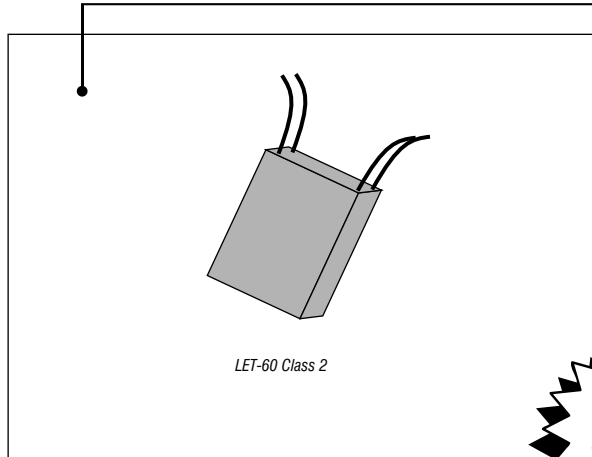
WIRING DIAGRAM

INSTALLATION

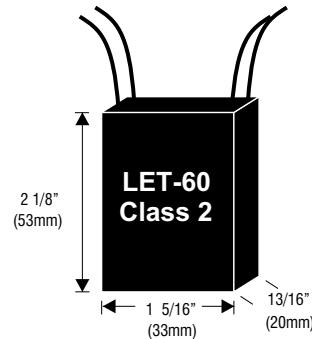
- 1) Loosen (3) concealed #10 stainless steel set screws and remove faceplate.
- 2) Install ABS housing flush at grade. Use sufficient gravel for drainage in and under ABS housing to eliminate any standing water.
- 3) Pull circuit conductors for input and allow 8" slack for re-lamping.
- 4) Connect conductors to socket leads with UL\CSA listed weather proof connectors or watertight cable connector.
- 5) Remove fixture shield and install maximum 50W MR16 lamp. Reinstall fixture shield.
- 6) Adjust vertical aiming and retighten (2) #8 socket head screws to desired position.
- 7) Reinstall faceplate with (3) concealed #10 stainless steel set screws.

Amerisis Lighting Corp.
 Project : Living Shangri la Site
 Type : CC1
 Desc : BK AW-0-NAT-9 -CPC
 Lamp : 1 X 50MR16/NFL 10,000
 Location VINE LIGHTING
 ** requires remote transformer **

LET-60 Class 2 (Mini Electronic Transformer)



Recommended for replacement only



SPECIFICATIONS

UL File Numbers

UL and C-UL Recognized
UL FILE # E 193999

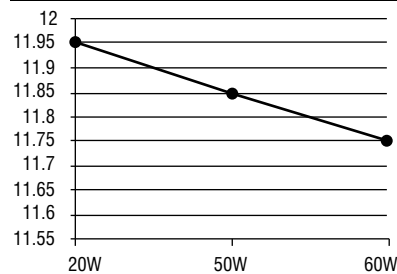
Mechanical and Thermal

Dimensions	20mm x 33 mm x 53 mm
Weight	3 ounces
Lead wire length	6"
Δ T	40 °C
Max. Ambient temp.	50 °C
Output wire – Blue – 14AWG	200°C
Input wire – White/Black – 18AWG	150°C
Waterproof potting	

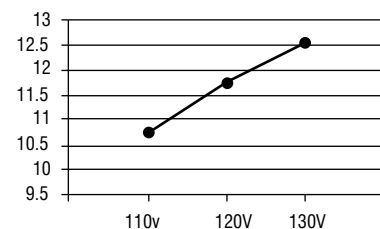
Electrical

Maximum load	60W
Minimum load w/o dimmer	10W
Minimum load with dimmer	20W
Input	120V 60Hz
Output at max. Load	11.75V 40kHz
Input current at max. Load	0.5A
Output current at max. Load	5A
Power factor min.	0.95
Dimmable	

Output Voltage vs. Load at 120V



Output vs. Input at Max. Load



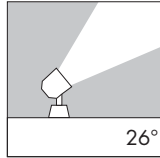
Short Circuit and Thermal Protection


Electronic internal resettable protection.
Patent pending auto heat regulation that also automatically acts as overload protection.
Thermal auto-reset 125°C switch.

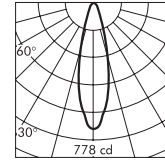


TYPE

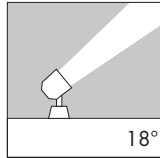
LIVING SHANGRI LA
SITE LIGHTING
TYPE CC1
DESC DASAL LET60 CLASS 2
LAMP N/A
LOCATION
VINE LIGHTING




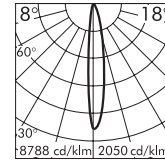
S.3540 
 For halogen lamp 35W PAR14
 medium base
 Lamp with integral reflectors



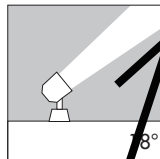
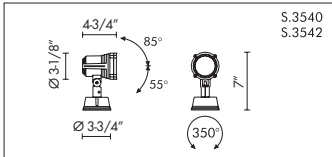
h(ft)	26°	
	Ø(ft)	(F.C.)
3	1.38	48.3
6	2.76	12.1
9	4.20	5.4
12	5.58	3.0
15	6.96	1.9




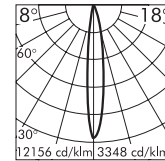
S.3542-120 
S.3542-277
 For low voltage lamp
 35W 12V GY6,35
 600 lm
 Transformer 50VA 120V-12V
 (8° beam reflector on request)



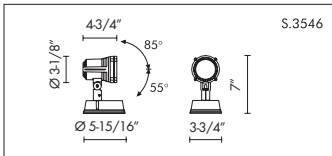
h(ft)	8°		18°	
	Ø(ft)	(F.C.)	Ø(ft)	(F.C.)
3	0.42	341.4	1.02	79.3
6	0.84	85.4	1.98	19.8
9	1.20	37.9	3.00	8.8
12	1.62	21.3	4.02	5.0
15	2.04	13.7	4.98	3.2



S.3546-120 
 For lamp metal halide 20W T4.5 G8.5
 1700 lm
 With electronic ballast
 (8° beam reflector on request)

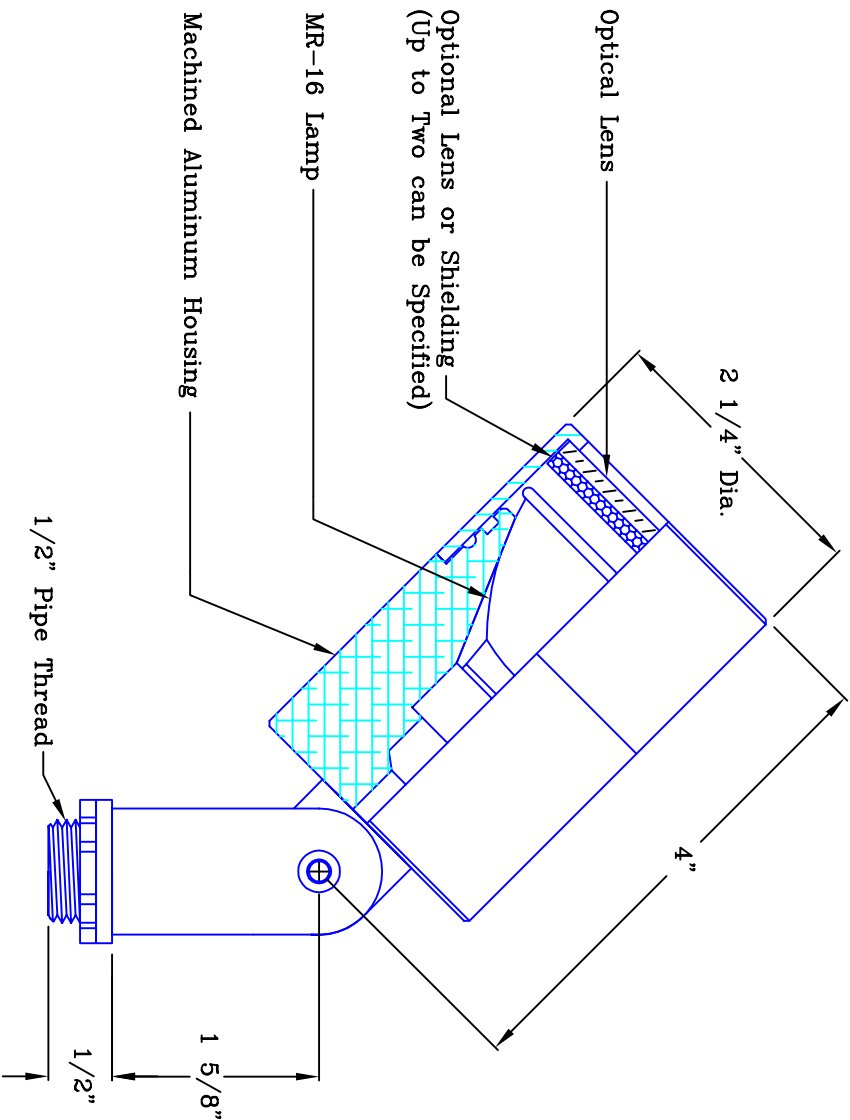


h(ft)	8°		18°	
	Ø(ft)	(F.C.)	Ø(ft)	(F.C.)
6	0.90	316.8	1.80	85.9
12	1.80	79.2	3.60	21.5
18	2.70	35.2	5.40	9.5
24	3.60	19.8	7.26	5.4
30	4.50	12.7	9.06	3.4



LIVING SHANGRI LA
 SITE LIGHTING
 TYPE CC2
 DESC SISTEMALUX S.3546-120 8 DEGREE
 LAMP 20W T4.5 (G8.5)
 LOCATION
 DRIVE ENTRY

For Remote Transformers
See Sheets TRSS Series, TR Series,
Power Pipe, Power Pipe II or Power
Canopy in Accessory Section.



CATALOG NUMBER LOGIC

EXAMPLE: NS - 9 - WHP - 9 - 11

Series: _____

Lamp Type: _____

- 0 - By Others
- 1 - ESX(20W), 12° Spot
- 2 - BAB(20W), 40° Flood
- 3 - FRB(35W), 12° Spot
- 4 - FRA(35W), 23° N. Flood
- 5 - FMW(35W), 40° Flood
- 15 - EYR(42W), 12° Spot
- 16 - EYS(42W), 25° N. Flood
- 17 - EYP(42W), 40° Flood
- 6 - EXT(50W), 13° Spot
- 7 - EXZ(50W), 26° N. Flood
- 8 - EXN(50W), 40° Flood
- 9 - FNV(50W), 60° W. Flood

Finish: _____

Finish	Satin	Wrinkle
Powdercoat	BZP	BZW
Bronze	BLP	BLW
Black	WHP	WHW
White (Gloss)	SAP	---
Aluminum	---	---
Verde	---	VER

Lens Type: _____

- 9 - Clear (Standard)
- 10 - Spread
- 12 - Soft Focus
- 13 - Rectilinear

Shielding: _____

- 11 - Honeycomb Baffle

Features:

- All Precision Machined Aluminum Construction.
- Mounting Knuckle Allows Vertical to Horizontal Aiming Provides Integral Wireway.
- MR-16 Lamp Holder With 250°C, 18 Ga. Wire Leads (Leads Extend 6" Beyond Mounting Knuckle).
- Utilizes any MR-16 Lamp Up To 50 Watts.
- Completely Sealed Optical Compartment, Clear Temper Glass Lens, Factory Sealed.
- Tamperproof Design. Utilizes a single, Flush Mtd., Hex Polyester Powdercoat Finishes Standard. (Specify).

Amerisis Lighting Corp.
Project : Living Shangri la Site

Type : CC5
Desc : BK NS-0-BLP/PPA18 BLP
Lamp : 1 X 50MR16/NFL 10,000 HR
Location Bamboo

** requires remote transformer **

Available in Machined Brass. Prefix Series Designation with 'B', Specify 'NAT' for Natural Brass, 'POL' for Polished Brass, 'MIT' for Mitique Brass or Powdercoat Color in Finish Section of the Catalog Number. See the 'B-K Brass' Brochure for Additional Details.

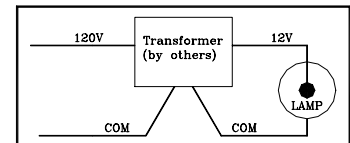
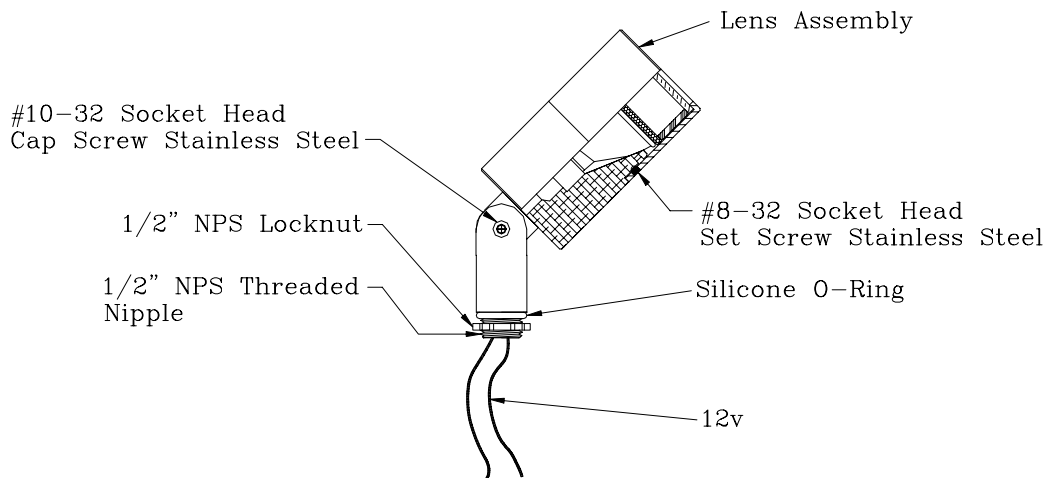
B-K LIGHTING, INC.

40429 Brickyard Drive, Madera, CA 93638. Phone: (559) 438-5800
http://www.bklighting.com

IMPORTANT SAFETY INFORMATION – READ, FOLLOW, AND SAVE ALL SAFETY AND INSTALLATION INSTRUCTIONS

- Product must be installed by a Licensed Electrician in a manner consistent with its intended use, and in compliance with the National Electrical Code, Canadian Electrical Code, and all Local and Provincial Codes.
- Follow product label information and instructions.
- Qualified Personnel must perform all servicing or relamping of this product.
- Before wiring to power supply and during servicing or relamping, turn off power at fuse or circuit breaker before service.
- The use of accessory equipment not recommended by the manufacturer or installed contrary to instructions may cause an unsafe condition. The use of damaged components may cause an unsafe condition and void product warranty.
- Do not block light emanating from product in whole or part, as this may cause an unsafe condition.
- Never operate the fixture with missing or damaged lens. Lens must be cleaned on regular basis.
- Lighted lamp gets hot very quickly. Allow it to cool before replacing lamp.
- Entire fixture may become extremely hot. Do not touch hot lens or fixture body. Do not touch the lamp at any time. Use a clean, dry, soft cloth to handle the lamp. Oil from skin may damage the lamp and cause it to rupture.
- Replace lamp only with correct wattage and type of lamp marked on fixture label.
- All gaskets, o-rings, and sealing surfaces must be kept clean during installation and service; failure to do this may cause an unsafe condition and void product warranty.

NITE STAR II SERIES INSTALLATION INSTRUCTIONS

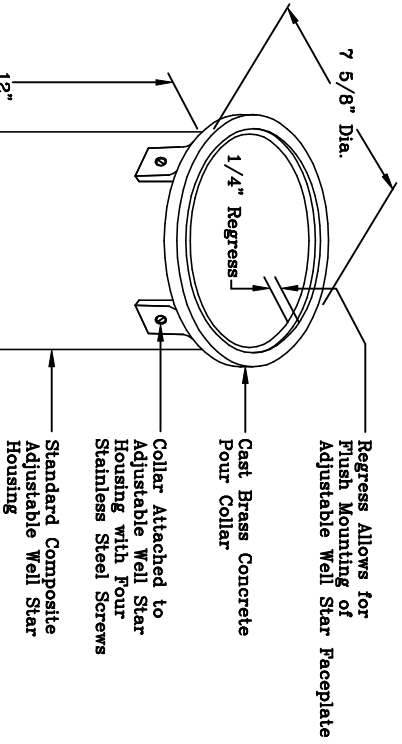
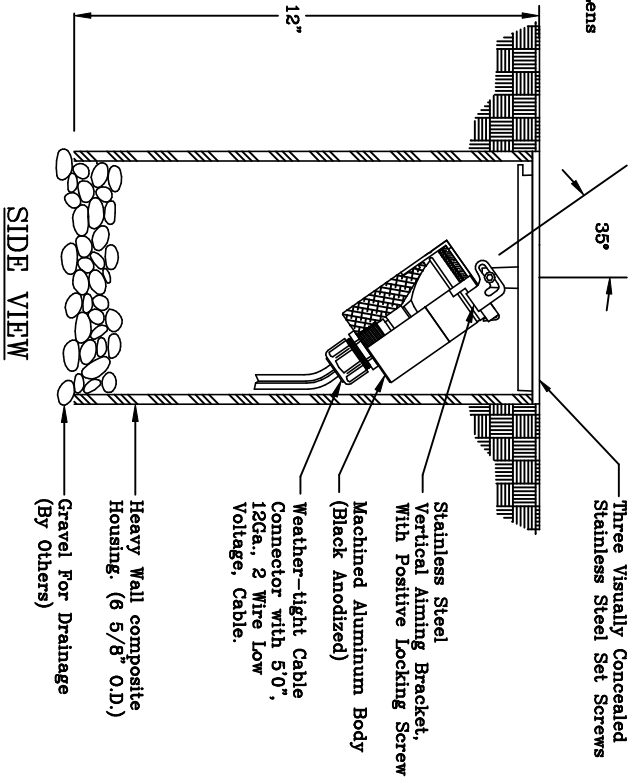
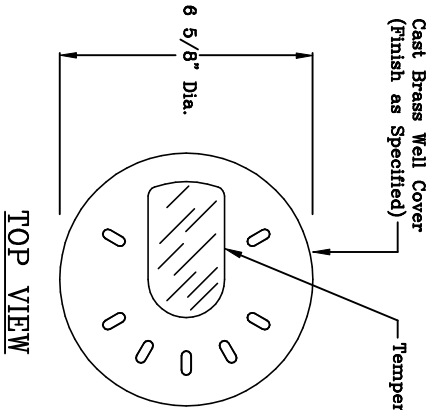


WIRING DIAGRAM

1. Install fixture to junction box with 1/2" NPS threaded nipple and locknut
2. Connect 12V wiring from remote transformer using the proper wire connectors for the installation (connectors by others).
3. Remove lens assembly and install maximum 50W MR16 lamp. Reinstall lens assembly.
4. Aim fixture and lock in place using stainless steel socket head cap screw.

TYPE CC5 INSTALLATION
INSTRUCTIONS

Fixture Adjustable Over to 35°
From Vertical, and 360° Rotatable



Amerisis Lighting Corp.
Project : Living Shangri la Site
Type : CC6
Desc : BK AW-0-NAT-9
Lamp : 1 X 50MR16 NFL 10,000
Location Vine lighting
** requires remote transformer **

CATALOG NUMBER LOGIC

EXAMPLE: AW - 9 - NAT - 10/11 - CPC

Series:

Lamp Type:

- 0 - By Others
- 1 - ESX(20W), 12" Spot
- 2 - BAB(30W), 40" Flood
- 3 - FRB(35W), 12" Spot
- 4 - FRA(35W), 23" N. Flood
- 5 - FAW(35W), 40" Flood
- 15 - EYR(42W), 12" Spot
- 16 - EYS(42W), 25" N. Flood
- 17 - EYP(42W), 40" Flood
- 6 - EXT(60W), 13" Spot
- 7 - EXZ(60W), 26" N. Flood
- 8 - EXN(50W), 40" Flood
- 9 - FNV(60W), 60" W. Flood

Finish:

Cast Brass	NAT
Unfinished	POL
Mitigue	MTT
Powdercoat	Wrinkle
Black	BLW
Bronze	BZW
White (Gloss)	WHW
Verde	VER

Accessories:

- 9 - Clear (Standard)
- 10 - Spread
- 12 - Soft Focus
- 13 - Rectilinear
- 11 - Honeycomb Batfle

Options:

CPC - Concrete Pour Collar (Must Be Factory Installed)

For Remote Transformers
See Sheets TRSS Series, TR Series,
Power Pipe, Power Pipe II or Power
Canopy in Accessory Section.

ADJUSTABLE WELL STAR™

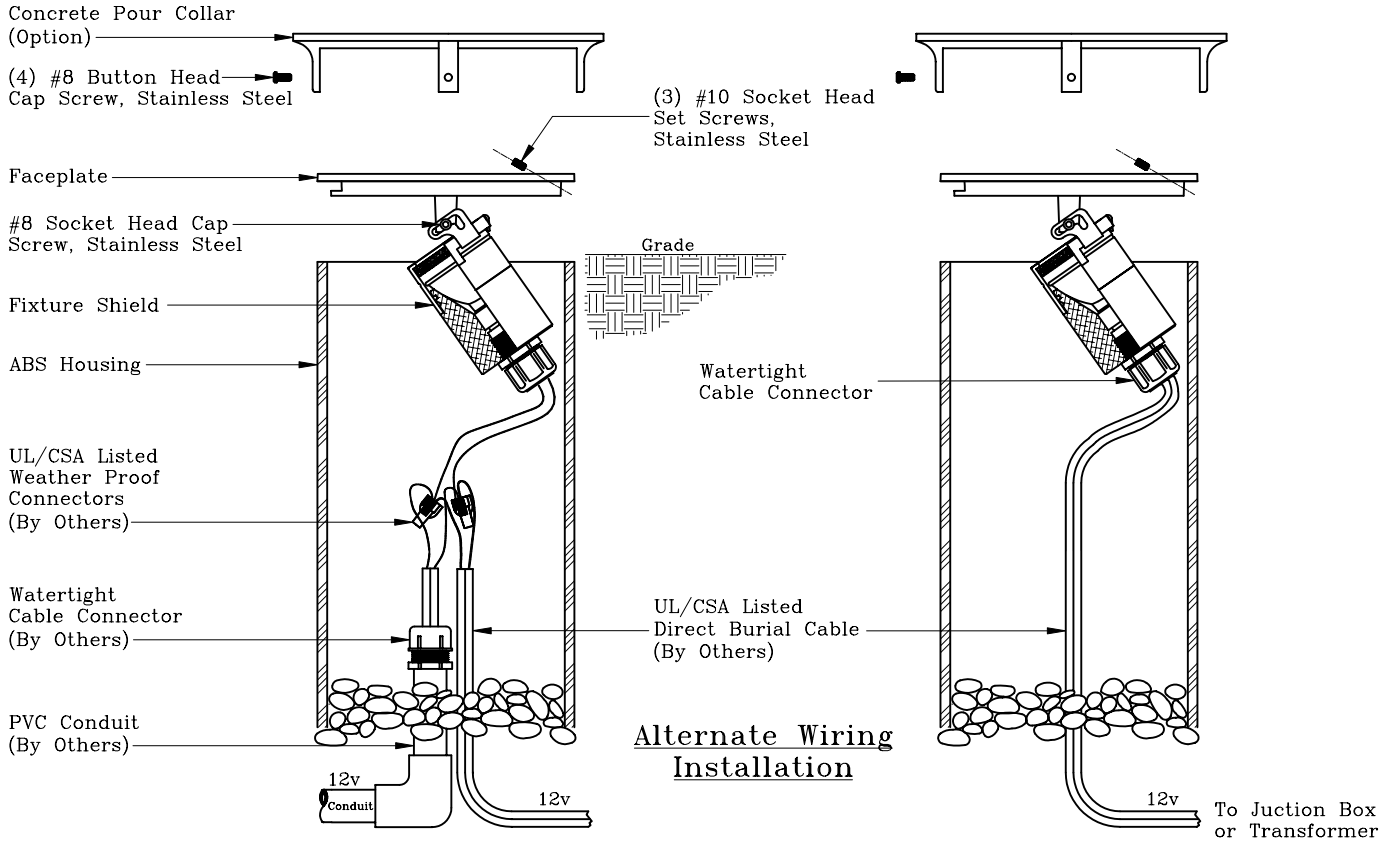
5/02

B-K LIGHTING, INC.

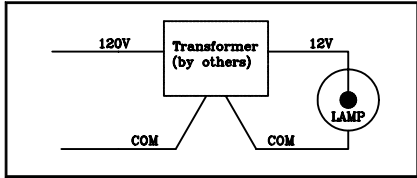
DRAWING NUMBER
SUB-1014-07



B-K LIGHTING, INC. INSTALLATION INSTRUCTIONS ADJUSTABLE WELL STAR SERIES



CAUTION: Installation must comply with the U.S. National Electrical Code or the Canadian Electrical Code and all Local and Provincial Codes.
 • If unsure, contact a Licensed Electrical Contractor.
 • Turn off power before installation.



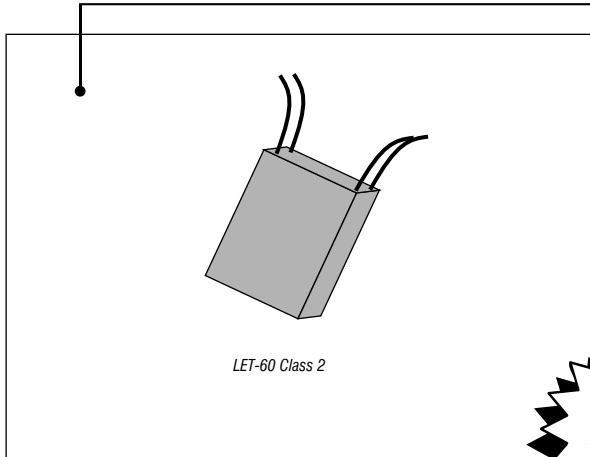
WIRING DIAGRAM

INSTALLATION

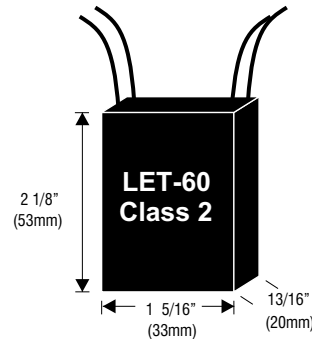
- 1) Loosen (3) concealed #10 stainless steel set screws and remove faceplate.
- 2) Install ABS housing flush at grade. Use sufficient gravel for drainage in and under ABS housing to eliminate any standing water.
- 3) Pull circuit conductors for input and allow 8" slack for re-lamping.
- 4) Connect conductors to socket leads with UL\CSA listed weather proof connectors or watertight cable connector.
- 5) Remove fixture shield and install maximum 50W MR16 lamp. Reinstall fixture shield.
- 6) Adjust vertical aiming and retighten (2) #8 socket head cap screws to secure aiming position.
- 7) Reinstall faceplate with (3) concealed #10

Amerisis Lighting Corp.
 Project : Living Shangri la Site
 Type : CC6
 Desc : BK AW-0-NAT-9
 Lamp : 1 X 50MR16 NFL 10,000
 Location Vine lighting
 ** requires remote transformer **

LET-60 Class 2 (Mini Electronic Transformer)



Recommended for replacement only



SPECIFICATIONS

UL File Numbers

UL and C-UL Recognized
UL FILE # E 193999

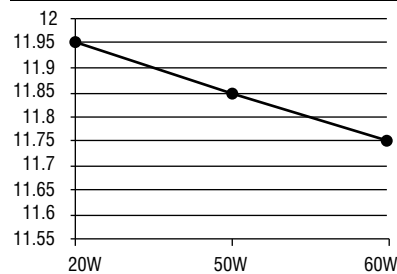
Mechanical and Thermal

Dimensions	20mm x 33 mm x 53 mm
Weight	3 ounces
Lead wire length	6"
Δ T	40 °C
Max. Ambient temp.	50 °C
Output wire – Blue – 14AWG	200°C
Input wire – White/Black – 18AWG	150°C
Waterproof potting	

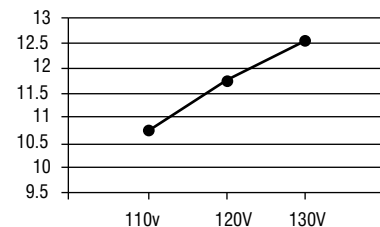
Electrical

Maximum load	60W
Minimum load w/o dimmer	10W
Minimum load with dimmer	20W
Input	120V 60Hz
Output at max. Load	11.75V 40kHz
Input current at max. Load	0.5A
Output current at max. Load	5A
Power factor min.	0.95
Dimmable	

Output Voltage vs. Load at 120V



Output vs. Input at Max. Load



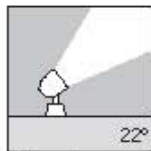
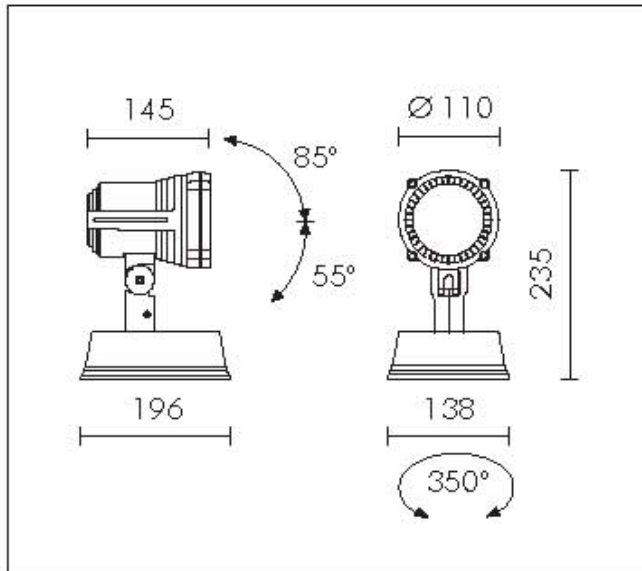
Short Circuit and Thermal Protection

Electronic internal resettable protection.
Patent pending auto heat regulation that also automatically acts as overload protection.
Thermal auto-reset 125°C switch.



TYPE

Amerisis Lighting Corp.
Project : Living Shangri la Site
Type : CC6
Desc : DASAL LET60
Lamp :
Location Vine lighting

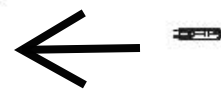


	8°		22°	
h(m)	Ø(m)	Em(lx)	Ø(m)	Em(lx)
2	0.30	3944	0.74	1081
4	0.60	987	1.52	270
6	0.90	438	2.26	120
8	1.20	247	3.02	65
10	1.52	159	3.78	42

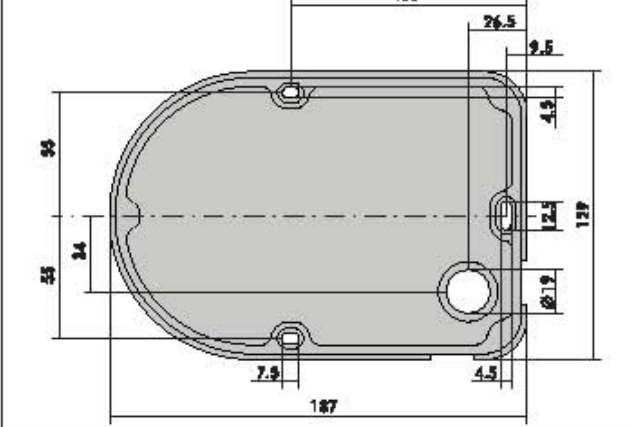
Photometrics measured using PHILIPS CDM-TC lamp

S.3566

For lamp HIT-TC CRI 35W G8,5
3300 lm
(8° beam reflector on request)
CLASS I
IP 65



FIXING BASE



Die-cast EN AB-47100 aluminium housing (copper free) with high corrosion resistance.
Clear toughened glass 4 mm thick IK07.
99.98% pure aluminium rotosymmetric reflector.
Stainless steel screws.
Single cable entry with grommet (Ø 9+12 mm).
Silicone gaskets.
Powdered paint with high corrosion resistance.
Lamp not included.
Weight: 3.4 Kg.

- Colours: Aluminium grey (code 14)
 Anthracite grey (code 24)

ACCESSORIES



S.3554
STAKE in plastic.
Colour: black (code 09)
Length = 420 mm
It protrudes from the ground 90 mm.



COLOURED FILTERS
supplied with aluminium ring holders.
S.3506 Red
S.3507 Blue
S.3508 Yellow
S.3509 Green



S.3550
PROTECTIVE GRILL
in die-cast aluminium.
To be installed instead of the aluminium ring holder.



S.3504
WIDE BEAM LENS
It enlarges the standard beam from 22° to - 40°



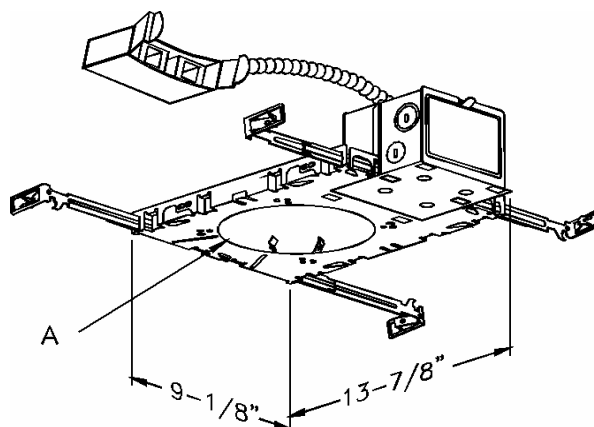
S.3553
VISOR
in die-cast aluminium.
To be installed instead of the aluminium ring holder.

LIVING SHANGRI LA
SITE LIGHTING
TYPE DD
DESC SI STEMALUX S.3566-120 8 DEGREE
LAMP 35W HIT-TC-CRI -G8 5
LOCATION
CHURCH BUTTRESS

6 3/4" aperture Low Profile
Compact Fluorescent
Standard Frame-In-Kit (Non-IC)

Lytecaster
Recessed Downlight

1102T



Complete fixture consists of Reflector Trim & Frame-in Kit. Select each separately

FRAME-IN-KIT	LAMPS	BASE	BALLAST	VOLT	TOTAL WATTS	INPUT CURRENT		
1102TH1	2x13W TT	2 Pin (Gx23)	Magnetic HPF	120V	33	0.280A		
1102TH3	2x13W TT	2 Pin (Gx23)	Magnetic HPF	347V	35	0.105A		
1102T13HF120	2x13W QT	4 Pin (G24q-1)	Electronic	120V	33	0.13A		
1102T13HF347	2x13W QT	4 Pin (G24q-1)	Electronic	347V	34	0.10A		
1102T18HF120	2x18W QT	4 Pin (G24q-2)	Electronic	120V	34	0.28A		
1102T18HF347	2x18W QT	4 Pin (G24q-2)	Electronic	347V	38	0.152A		
1102T26HF120	2x26W QT	4 Pin (G24q-3)	Electronic	120V	54	0.48A		
1102T26HF347	2x26W QT	4 Pin (G24q-3)	Electronic	347V	54	0.165A		
1102T13HDU	2x13W QT	4 Pin (G24q-1)	Dimming HDF	120/277V	refer to ballast manufacturer specifications			
1102T18HDU	2x18W QT	4 Pin (G24q-2)	Dimming HDF	120/277V				
1102T26HDU	2x26W QT	4 Pin (G24q-2)	Dimming HDF	120/277V				
1102T18HJ120MX	2x18W QT	4 Pin (G24q-2)	Dimming Mark-10	120V				
1102T26HJ120MX	2x26W QT	4 Pin (G24q-2)	Dimming Mark-10	120V				
1102T18HJ120SE	2x18W QT	4 Pin (G24q-2)	Dimming Lutron S-E 5%	120V				
1102T26HJ120SE	2x26W QT	4 Pin (G24q-2)	Dimming Lutron S-E 5%	120V				
1102T18HJ120TW	2x18W QT	4 Pin (G24q-2)	Dimming Lutron T-W 5%	120V				
1102T18HJ120TW	2x26W QT	4 Pin (G24q-2)	Dimming Lutron T-W 5%	120V				
1102T18HM120-EOL	2x18W QT *	2 Pin (G24d-2)	Magnetic	120V			34	0.28A
1102T18HM120-EOL	2x18W QT *	2 Pin (G24d-2)	Magnetic	120V				
1102T18HM347-EOL	2x18W QT *	2 Pin (G24d-2)	Magnetic	347V				
1102T26HM120-EOL	2x26W QT *	2 Pin (G24d-3)	Magnetic	120V	54	0.48A		
1102T26HM347-EOL	2x26W QT *	2 Pin (G24d-3)	Magnetic	347V	54	0.165A		

* Use only lamps with " End Of Life " protection.

Features

- Mounting Frame** : .036" galvanized steel. Accommodates all ceilings up to 1" thick. Four slots are positioned 90° apart to simplify alignment. For new construction only.
- Rotoclips** : Easy reflector trim installation. Push-in / twist-out Rotoclips hold reflector flush to ceiling.
- Mounting Bars** : (4) 18 ga. galvanized steel. 13" long bars extend to 27" , rotatable and lockable, integral t-bar tabs. Spike detail eliminates the need of additional nailing. Attaches to wood joist or T-bar without need of accessories.
- Mounting Bars Locking Clip** : (1) locks mounting bars in place. Additional clips are sold separately (0098 set of 12)
- Socket Housing** : 22 ga. galvanized spring steel; snap-in quick assembly for precise lamp location.
- Socket** : Molded thermoplastic. Pre-wired with #18 ga. SEW leads to junction box.
- Junction Box** : 4"x 3"x 2" 18 ga. galvanized steel . CSA certified for maximum of 8 No. 12 ga. 90° C through branch circuit conductors. Integral cable clamp permit attachment of non-metallic Loomex without need of additional connectors. Pry-out knock-outs accept BX cable. Easy access from both sides with snap-on covers.
- Ballast** : Thermally protected, HPF, 2 lamp ballast, magnetic or electronic, class-P rated. 120 or 347 volts.

Accessories


- Mounting Bars Extenders** : 1964
20" long (set of 2)
- Mounting Bar Locking Clips** : 0098
To lock mounting bars in place after installation. Set of 12.
- Step Down Transformer**
7997VA100 : Step Down from 347V to 120V : 100W Max.

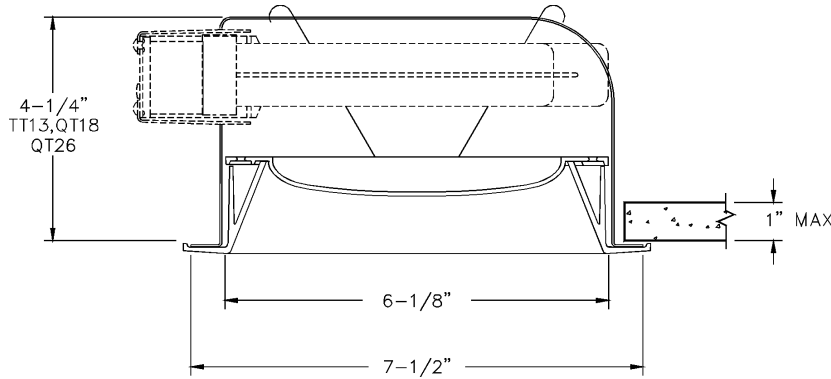
Reflector Trim

Amerisis Lighting Corp.
Project : Living Shangri la Site
Type : DD2
Desc : Lightolier 1102 TH1 120
Lamp : see trim details
Location : Above bridge beside platform
page 1 of 2

LIGHTOLIER



	6 3/4" Aperture Low Profile CFL White Diffuser	Lytecaster Recessed Downlight	1128T
--	---	--	--------------



Ceiling Opening : 6 3/4"

Complete fixture consists of Reflector Trim & Frame-in Kit. Select each separately

REFLECTOR TRIM	RECESSED FRAME-IN-KIT (NON-IC)	SURFACE DRUM																																																											
<table border="1" style="width: 100%; border-collapse: collapse;"> <tr> <td style="width: 10%;">1128T</td> <td style="width: 90%;">White</td> </tr> </table>	1128T	White	<table border="1" style="width: 100%; border-collapse: collapse;"> <tr> <td style="width: 15%;">1102TH1</td> <td style="width: 15%;">Magnetic</td> <td style="width: 10%;">120V</td> <td style="width: 60%;">2 x 13W Twin tube</td> </tr> <tr> <td>1102TH3</td> <td>Magnetic</td> <td>347V</td> <td>2 Pin (GX23)</td> </tr> <tr> <td>1102T13HT120</td> <td>Electronic PS</td> <td>120V</td> <td></td> </tr> <tr> <td>1102T18HM120</td> <td>Magnetic</td> <td>120V</td> <td>2 x 18W Quad Tube</td> </tr> <tr> <td>1102T18HM347</td> <td>Magnetic</td> <td>347V</td> <td>2 Pin (G24d-2)</td> </tr> <tr> <td>1102T18HT120</td> <td>Electronic PS</td> <td>120V</td> <td></td> </tr> <tr> <td>1102T18HF120</td> <td>Electronic</td> <td>120V</td> <td>2 x 18W Quad Tube</td> </tr> <tr> <td>1102T18HF347</td> <td>Electronic</td> <td>347V</td> <td>4 Pin (G24q-2)</td> </tr> <tr> <td>1102T26HM120</td> <td>Magnetic</td> <td>120V</td> <td>2 x 26W Quad Tube</td> </tr> <tr> <td>1102T26HM347</td> <td>Magnetic</td> <td>347V</td> <td>2 Pin (G24d-3)</td> </tr> <tr> <td>1102T26HT120</td> <td>Electronic PS</td> <td>120V</td> <td></td> </tr> <tr> <td>1102T26HD120</td> <td>PowerSpec Dimming</td> <td>120V</td> <td>2 x 26W Quad Tube</td> </tr> <tr> <td>1102T26HF120</td> <td>Electronic</td> <td>120V</td> <td>4 Pin (G24q-3)</td> </tr> <tr> <td>1102T26HF347</td> <td>Electronic</td> <td>347V</td> <td></td> </tr> </table>	1102TH1	Magnetic	120V	2 x 13W Twin tube	1102TH3	Magnetic	347V	2 Pin (GX23)	1102T13HT120	Electronic PS	120V		1102T18HM120	Magnetic	120V	2 x 18W Quad Tube	1102T18HM347	Magnetic	347V	2 Pin (G24d-2)	1102T18HT120	Electronic PS	120V		1102T18HF120	Electronic	120V	2 x 18W Quad Tube	1102T18HF347	Electronic	347V	4 Pin (G24q-2)	1102T26HM120	Magnetic	120V	2 x 26W Quad Tube	1102T26HM347	Magnetic	347V	2 Pin (G24d-3)	1102T26HT120	Electronic PS	120V		1102T26HD120	PowerSpec Dimming	120V	2 x 26W Quad Tube	1102T26HF120	Electronic	120V	4 Pin (G24q-3)	1102T26HF347	Electronic	347V		<table border="1" style="width: 100%; border-collapse: collapse;"> <tr> <td style="width: 100%; height: 100px;"> </td> </tr> </table>	
1128T	White																																																												
1102TH1	Magnetic	120V	2 x 13W Twin tube																																																										
1102TH3	Magnetic	347V	2 Pin (GX23)																																																										
1102T13HT120	Electronic PS	120V																																																											
1102T18HM120	Magnetic	120V	2 x 18W Quad Tube																																																										
1102T18HM347	Magnetic	347V	2 Pin (G24d-2)																																																										
1102T18HT120	Electronic PS	120V																																																											
1102T18HF120	Electronic	120V	2 x 18W Quad Tube																																																										
1102T18HF347	Electronic	347V	4 Pin (G24q-2)																																																										
1102T26HM120	Magnetic	120V	2 x 26W Quad Tube																																																										
1102T26HM347	Magnetic	347V	2 Pin (G24d-3)																																																										
1102T26HT120	Electronic PS	120V																																																											
1102T26HD120	PowerSpec Dimming	120V	2 x 26W Quad Tube																																																										
1102T26HF120	Electronic	120V	4 Pin (G24q-3)																																																										
1102T26HF347	Electronic	347V																																																											

Features

- Reflector** : Hydroformed aluminum, .040" thick ; white gloss finish on inside.
- Diffuser** : Translucent white, break resistant polycarbonate Lexan. Provides soft, widespread illumination with opaque splay to reduce brightness to ceiling.
- Splay** : Injection molded opaque white Valox.

Frame-In-Kit

Note : For complete Frame-In-Kit specifications, see sheet 1102T

Accessories

- Retaining clips** : 1955 (set of 100) For installation in existing ceilings. For all trims except white and Alzak reflectors.
- Extra Wide Flange Trim Ring** : 1954 ; For most 1100 series Reflector Trim. O.D. 8 5/8".

Labels : CSA

Suitable for damp and wet locations.

Amerisis Lighting Corp.

Project : Living Shangri la Site

Type : DD2

Desc : Lightolier 1128T White

Lamp : 2 x PL13 (GX23)

Location Above bridge beside platform

page 2 of 2

WE RESERVE THE RIGHT TO CHANGE DETAILS OF DESIGN, MATERIALS AND FINISH, IN ANY WAY THAT WILL NOT ALTER INSTALLED APPEARANCE OR REDUCE FUNCTION AND PERFORMANCE
 Lightolier CFI, 3015 Louis Amos Lachine, (Quebec) H8T 1C4

LIGHTOLIER

WHC

SERIES

WALL KING

PROJET _____

TYPE _____

CATALOG # _____



HOUSING & FEATURES

This decorative fixture will provide both security and accent lighting to any commercial building. The half moon design is made of one piece die cast aluminum, and is attached to a hinged door frame which opens and closes with easy. All maintenance is done through the door frame of the fixture to reduce maintenance costs. Ballast is mounted on a single ballast plate for easy ballast replacement and it can be accessed by removing the reflector. This luminaire mounts in a vertical or horizontal position to any wall surface or weather proof box. Standard colors are Black, Bronze, Grey and White. Other colors are available upon request.

ENCLOSURE

This fixture is completely enclosed and is intended for indoor or outdoor use. Lenses are tempered glass and are permanently sealed to the housing with a gasket and silicone. Replacement parts are available from the factory.

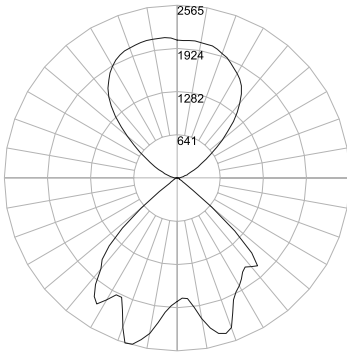
OPTICS

Fixture is available in uplight, downlight, and uplight/downlight versions. Distribution patterns are achieved by a one piece anodized aluminum reflector. It provides a full horizontal cut-off and can be set in Type II, III or IV IES distribution patterns which can be set in the factory or adjusted on the job site. Please see options guide to choose a distribution. Downlight fixtures are standard built with a clear tempered glass lens. The uplight component uses a frosted prismatic lens which produces optimal uplight. Lenses can be changed upon request, please consult ordering guide for details.

ELECTRICAL

The WHC is available up to 175w MH or 150w HPS and uses a 4kv medium base socket.

Amerisis Lighting Corp.
Project : Living Shangri la Site
Type : DD3
Desc : Stanpro WHC D F 32
Lamp : 1 x PL32



Total Rated Lamp Lumens: 14000
 Total Luminaire Efficiency: 59.2 %
 CIE Type: General Diffuse
 Spacing Criteria (0-180): N.A.
 Spacing Criteria (90-270): N.A.
 Spacing Criteria (Diagonal): N.A.
 Basic Luminous Shape: Rectangular
 Luminous Length (0-180): 0.47 ft
 Luminous Width (90-270): 1.22 ft
 Luminous Height: 0.00 ft

ZONAL LUMENS SUMMARY

Zone	Lumens	%Lamp	%Fixt
0-30	1714.53	12.2	20.7
0-40	2823.66	20.2	34.1
0-60	3749.9	26.8	45.2
0-90	3832.49	27.4	46.2
90-120	438.67	3.1	5.3
90-130	964.13	6.9	11.6
90-150	2780.37	19.9	33.5
90-180	4454.98	31.8	53.8
0-180	8287.47	59.2	100

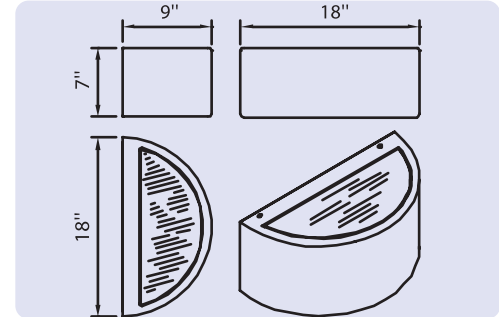
LAMP POWER CONVERSION

Lamp Type	Wattage	Maint LM	Factor
	50	2200	0.35
Pulse Start	70	3500	0.56
Metal Halide	100	6200	1.00
	150	8600	1.39
	175	12500	2.02
Metal Halide	175	8800	1.00
	50	3600	0.42
HPS	70	5450	0.64
	100	8550	1.00
	150	14400	1.68

COEFFICIENTS OF UTILIZATION

RC RW	80				70				50			30			10			0
	70	50	30	10	70	50	30	10	50	30	10	50	30	10	50	30	10	0
0	63	63	63	63	58	58	58	58	48	48	48	39	39	39	31	31	31	27
1	58	56	54	52	54	52	50	49	43	42	41	36	35	34	29	28	28	25
2	54	50	47	44	49	46	44	41	39	37	36	33	31	30	27	26	25	22
3	50	45	41	38	46	42	38	36	35	33	31	30	28	27	24	23	22	20
4	46	40	36	33	42	37	34	31	32	29	27	27	25	24	22	21	20	18
5	43	36	32	29	39	34	30	27	29	26	24	25	23	21	21	19	18	16
6	39	33	29	25	36	31	27	24	27	24	22	23	21	19	19	18	16	15
7	37	30	26	23	34	28	24	22	24	21	19	21	19	17	18	16	15	13
8	34	27	23	20	31	26	22	19	22	19	17	19	17	15	16	15	13	12
9	32	25	21	18	29	24	20	17	21	18	16	18	16	14	15	14	12	11
10	30	23	19	16	28	22	18	16	19	16	14	16	14	13	14	12	11	10

DIMENSIONS



ORDERING GUIDE

WHC SERIES	DIRECTION	LAMP SOURCE	WATTAGE	VOLTAGE	OPTIONS
WHC	U - Uplight D - Downlight B - Both uplight and downlight	P - Pulse Start	050	P	/C - coated lamp /H - high power factor capacitor (for 120V reactor ballast only) /CC - Custom Color /B - Quartz Backup /Fu1 - Fusing /N - No enclosure (Indoor use only) /E - Flat Glass /PL - Prismatic Flat Lens /FL - Frosted Flat Lens /O - Prismatic Drop Lens /Type 2 (distribution) /Type 3 (distribution) /Type 4 (distribution) Line Voltage Identifier A -120V K -480V B -208V S -600V E -277V V -120/240V H -347V P -120/277/347V
			070		
			100		
			150		
			175		
			175		
	M - Metal Halide	S - High Pressure Sodium	050	A, B, E, H, K, S, V	
			070		
			100		
			150		
			150		
			150		
F - Compact Fluorescent		126	A, H		
		132			
		142			
		226			
		232			
		242			

NOTE: If only single direction lighting is requested, please specify "U" for uplight or "D" for downlight before the Lamp Type
 EG: WHCU-M175-P = WHC series for 175w MH UPLIGHT ONLY, Tri-Tap ballast.

WARRANTY

All products are warranted for 2 years against defects in workmanship and electrical components.
 Lamps are warranted for 1 year.

Head Office and Warehouse
 410 McCaffrey
 Saint-Laurent (Quebec) H4T 1G4
 Tel.: (514) 739-9984
 Fax: (514) 739-9912
 1-866-280-2332
 www.stanprols.com

Amerisis Lighting Corp.
 Project : Living Shangri la Site
 Type : DD3
 Desc : Stanpro WHC D F 32
 Lamp : 1 x PL32

PAGE 1 OF 2

The information in this brochure is typical and must not be interpreted as a guarantee of individual product performance and/or characteristics.
 Stanpro Lightings System Inc. follows a policy of continuous advancements in development, For this reason specifications may change without notice.

LED

LED01

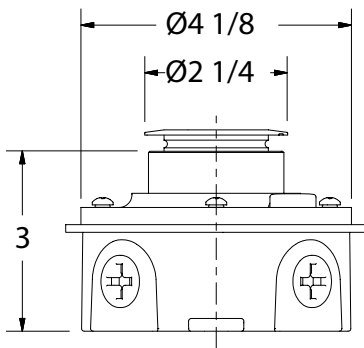
APPLICATION: Directional or indicator light for up lighting walls, columns and signage from the ground.

SOURCE: 1 watt LED powered by remote 350mA driver.

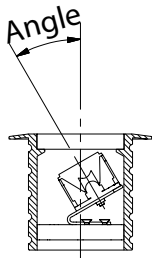
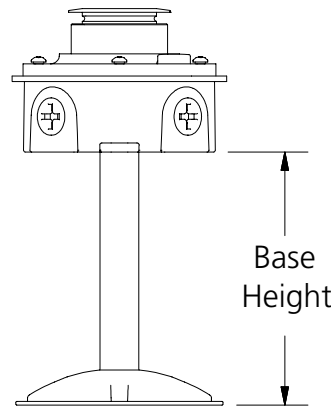
MATERIALS: Machined anodized aluminum or stainless steel trim with tempered 1/4" frosted or clear glass lens, suitable for walk-over and drive over applications.

MOUNTING: Comes with splice box, aluminum flange plate and level gauge. Can be buried in earth/gravel or cast into concrete with or without mounting base.

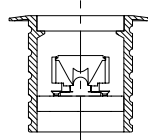
APPROVAL: Wet and dry locations. Approved to UL standards by CSA/US.



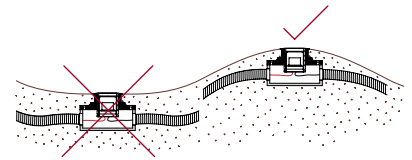
Shown as with base



Shown as with angle bracket



No angle bracket



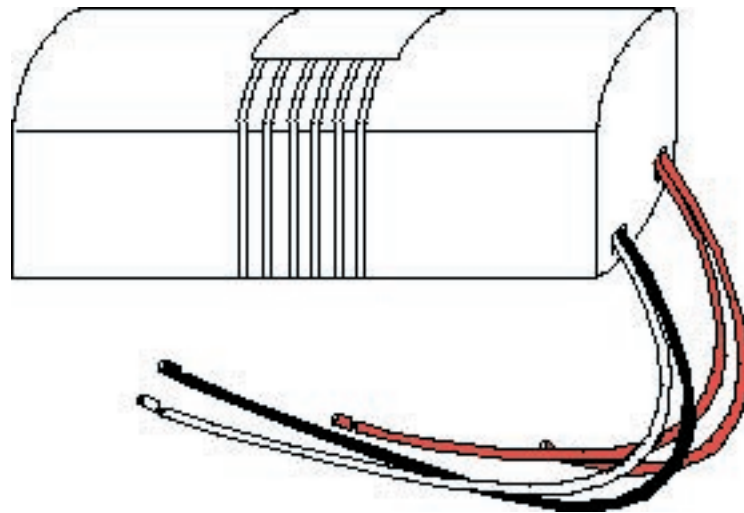
note: fixture should be installed on a level or slightly raised surface so water does not pool or submerge fixture

STYLE	WATTAGE	COLOR	DISTRIBUTION	LENS	ANGLE BRACKET	MOUNTING	FINISH
LED01	1 = 1W	WH: WHITE WWH: WARM WHITE AM: AMBER RD: RED BL: BLUE GR: GREEN	12: 12° BEAM 30: 30° BEAM 110: 110° BEAM 140: 140° BEAM	CL: CLEAR FR: FROSTED	0: NO BRACKET 30: 30° ANGLE BRACKET XX: CUSTOM ANGLE BRACKET	0: NO BASE 2: 2" BASE 6: 6" BASE X: CUSTOM BASE	CLA: CLEAR ANODIZED BKA: BLACK ANODIZED SS: STAINLESS STEEL

Amerisis Lighting Corp.
Project : Living Shangri la Site
Type : DD4
Desc : MP LED 011WWH 30 CL OO SS 316
Lamp : 1 W LED
Location : Grazing wall

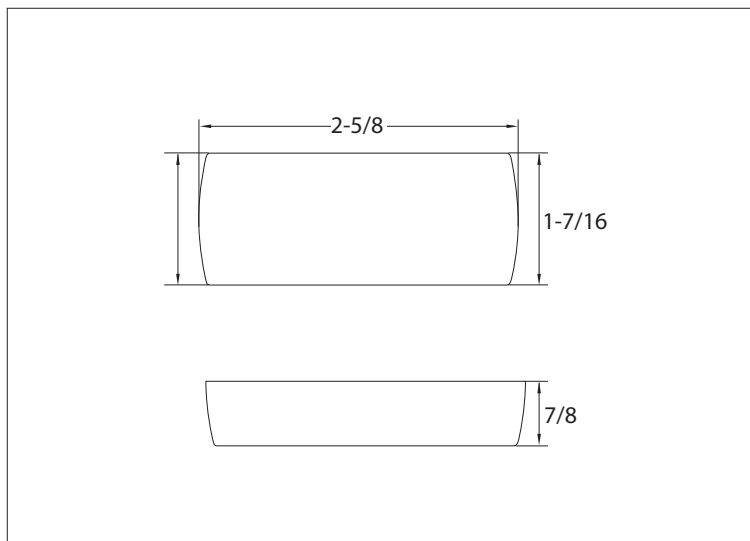
LED

LED12W350S

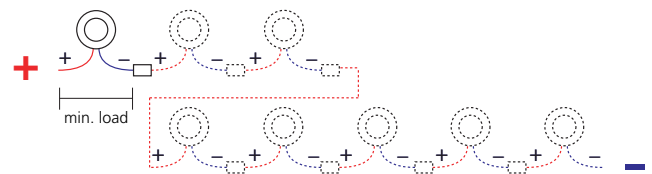


MAXIMUM WIRING DISTANCE

10 AWG 5.6 mm ²	12 AWG 3.3 mm ²	14 AWG 2.0 mm ²	16 AWG 1.3 mm ²	18 AWG .78 mm ²
714'	420'	275'	180'	108'

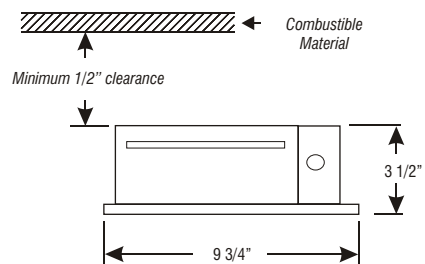
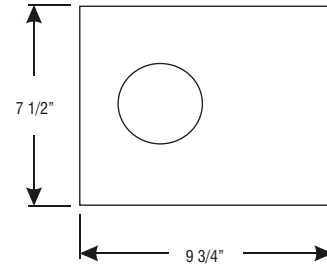
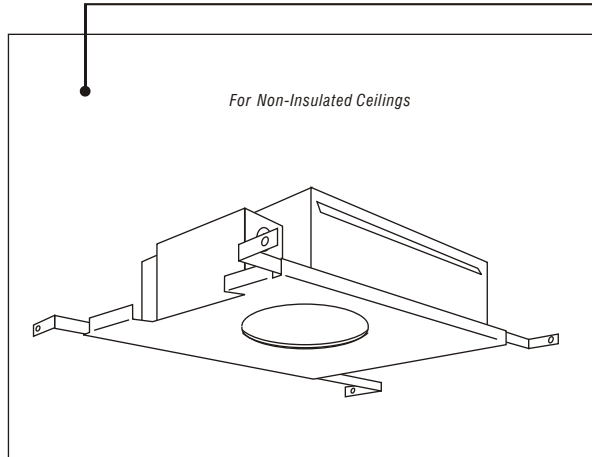


Amerisis Lighting Corp.
 Project : Living Shangri la Site
 Type : DD4
 Desc : MP LED 12W 350 S
 Lamp : NA
 Location : Grazing wall



Load of 1 watt LEDs

2-020-F MR16 - Frame In Kit



SPECIFICATIONS

- Housing:** **Rated Non I/C.** The 2-020-F Frame- In Kit offers a unique design allowing installations of very shallow plenums as low as 4". Baseplate 20ga.C.R.S. with black powder coat paint finish. Baseplate is designed for bi-directional mounting of hanger bars. 16" Hanger bars supplied as standard.
- J-Box:** 18ga. Galvanized steel. 5 K.O. around J-Box to allow for easy wire entry. Approved for branch circuit wiring.
- Thermal Protection:** All frame-in kits have overload protection for over lamping.
- Transformer:** Housings with magnetic Transformers are rated to **MAX 50 Watts**. Magnetic and coil transformers are made with copper windings, Class H Rating (180°C): 120V, 277V, 347V Primary available. Optional Electronic transformer housings are available, **MAX 50 Watts**: 120V, 277V, Primary available. Transformer is accessed through ceiling opening.
- Socket:** Low Voltage MR-16, 12V, (lamp by others). Porcelain Bi-Pin socket type GX5.3
- Guarantee:** DaSal Industries warrants all equipment to be free from defect in manufacturing, under normal and proper storage, installation and use, for a period of one (1) year and Five (5) years on all magnetic transformers.
- Weight:** Rough - In approx. 3.69 Lbs (approx. 1.67 Kg)

Trims to be used with 2-020-F Frame - In Kit

- Aqua
- Aurora
- Conus
- Coral
- Demi
- Eclipse
- Key Hole
- Picolo
- Lensed Picolo
- Pin Hole
- Pin Hole Wall Wash
- Pivot
- Siris
- Split
- Star Lite
- Sunburst
- Slice Accessories

See individual specification sheets for trim details

Order Guide

HOUSING	TRANSFORMER	VOLTAGE	BPHI
2-020-F	E - Electronic XMR	120	Black Painted
(Max 50 Watts)	Blank - Magnetic XMR	277	Housing Interior
		347 ¹⁾	

Note:

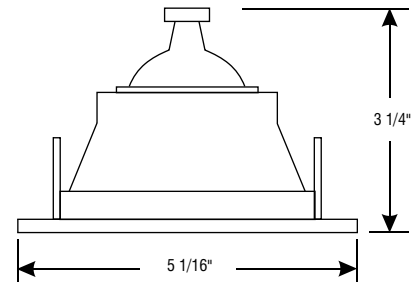
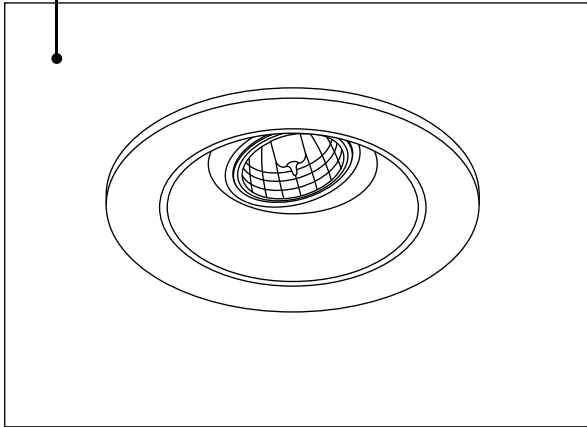
1) Magnetic transformer only available.



TYPE

LIVING SHANGRI LA
SITE LIGHTING
TYPE E
DESC DASAL 2-020-F 120
LAMP 1 X 50MR16 NFL 10,000 HR
LOCATION PLATFORM ELEVATOR SOFFIT

Aurora (MR 16 Trim)



SPECIFICATIONS

All Aurora trims are adjustable (up to 35 degrees) and offer performance, versatility, and excellent brightness control in a small aperture. All trim rings are made of die cast aluminum and are powder coat painted or plated. The collection includes grooved baffles, silver, gold, black specular, champagne and satin reflectors. The series also offers decorative color specular finishes matching any decor including copper, blue, green and purple.

Designed for non cover glass MR16 lamp, can accommodate up to 2 lens accessories. Ships standard with clear glass lens.

The Aurora collection is ideal for lobbies, conference rooms, corridors, hotels, restaurants, retail spaces, music halls, offices, and residences.

See Slice Decorative accessories specification sheet for more details.

Order Guide

HOUSING	VOLTAGE	TYPE	TRIM RING	REFLECTOR COLOUR	FINISH
No Housing (Max 20 Watts) ¹	120	2-120 - Aurora	01 - White	SA - Silver Specular ²	S - Satin
2-010-I/C (Max 50 W)	277		02 - Chrome	GA - Gold Specular ²	
2-010-I/C-A/T (Max 50 W)	347		04 - Black	BA - Black Specular	
2-020-F (Max 50 W)			05 - Matte Silver	COPA - Copper Specular ²	
2-030-R (Max 50 W)			09 - Gold	BLUA - Blue Specular ²	
2-060-F (Max 75 W)			11 - Matte Nickel	GRNA - Green Specular ²	
				PURA - Purple Specular ²	
				CHA - Champagne Specular ²	
				WHS - White stepped Baffle	
				BLS - Black Stepped Baffle	
				NIC-S - Nickel Satin ³	

Note:

- 1) Trim Only indicates use with a remote Class 2 transformer. Transformer and R12S socket sold separately. Hole Cut out size 4 1/2"
- 2) These reflectors are available in Satin finishes
- 3) Only available as Satin versions



TYPE	LIVING SHANGRI LA
	SITE LIGHTING
	TYPE E
	DESC DASAL 2-120-01
LAMP	1 X 50MR16 NFL 10,000 HR
LOCATION	PLATFORM ELEVATOR SOFFIT

SS STAGGERED STRIP T5

STAGGERED STRIP T5

3 1/8" WIDE 1 7/16" DEEP CHANNEL

26 1/2", 38 1/4" OR 50" LENGTHS

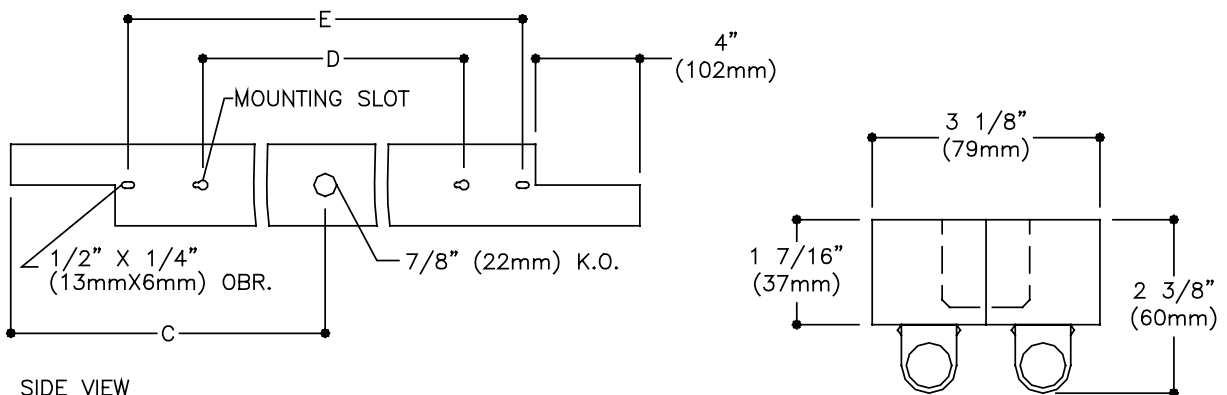
2 LAMPS, T5

- Only 1 7/16" deep.
- Utilizes compact, high efficiency, T5 or T5HO lamps.
- Fully enclosed wiring.
- Push through lamp holders with rotor for secure lamp retention.
- 4" lamp overlap when installed in row.

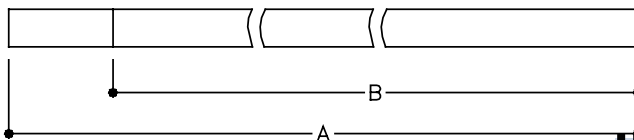


DIMENSIONS

TOP VIEW



SIDE VIEW



Nom. Length	A	B	C	D	E
46	50" (1270mm)	46" (1168mm)	24" (610mm)	35 3/4" (599mm)	40 7/8" (1051mm)
34	38 1/4" (972mm)	34 1/4" (870mm)	12 1/8" (308mm)	24" (1116mm)	29 1/8" (74mm)
22	26 1/2" (673mm)	22 1/2" (572mm)	5 1/4" (133mm)	15 1/8" (818mm)	N/A

LIVING SHANGRI LA
SITE LIGHTING
TYPE GG1
DESC SS4 S154T5HO UNIV PG
LAMP 1 X F54 T5HO
LOCATION
LIVE WORK STAMPED METAL PANEL

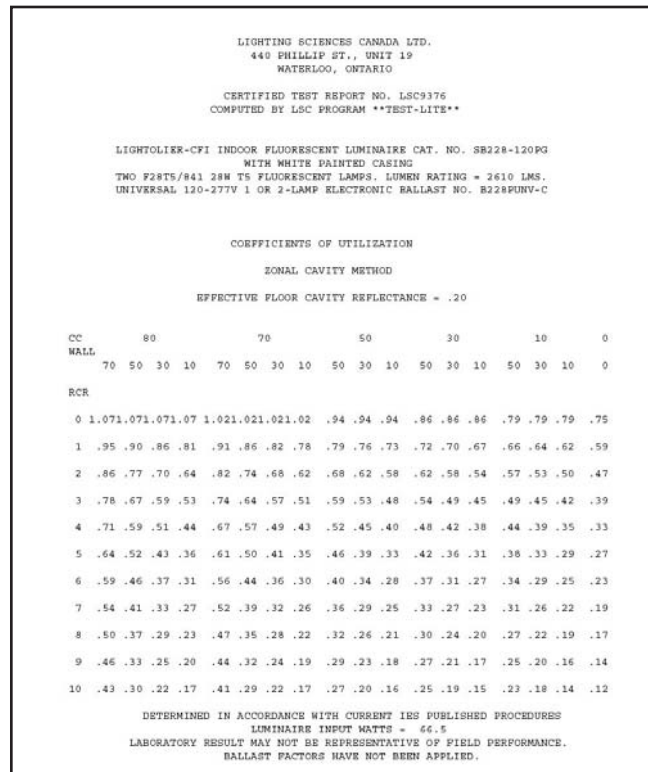
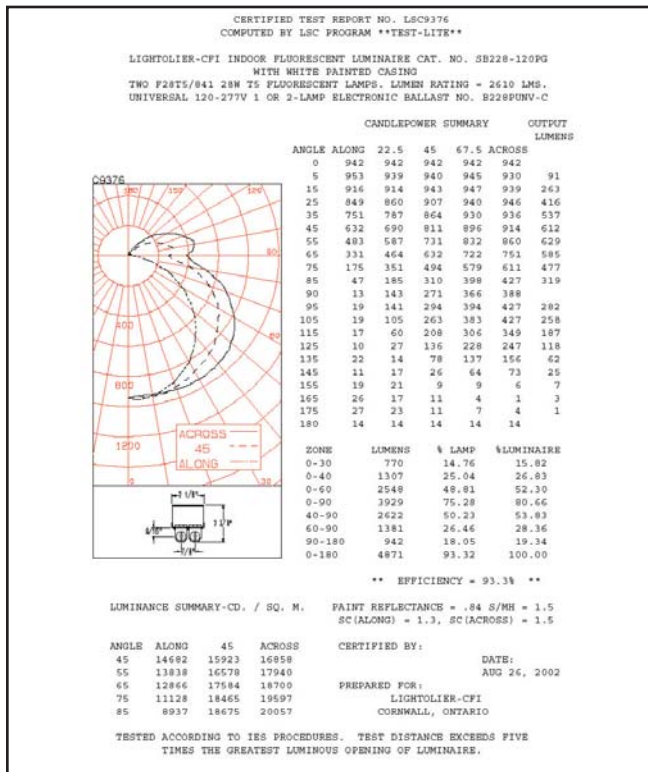
SS STAGGERED STRIP T5

STAGGERED STRIP T5

22 1/2", 38 1/4" AND 50 1/4" LENGTHS

PHOTOMETRY

MODEL NO. SS4S228120PI



ORDERING INFORMATION Explanation of Catalogue Number Example: SS4S228120PI

SS SIDEMOUNT STRIP Staggered Strip T5, 2" wide X 1 3/8" deep channel	4 NOMINAL FIXTURE LENGTH 2 = NOMINAL 22" 3 = NOMINAL 34" 4 = NOMINAL 46"	S CEILING TYPE S = Surface	2 LAMP QUANTITY 1 or 2	28 LAMP TYPE (NOMINAL 22") 14 = 14W T5 24 = 24W T5 HO (NOMINAL 34") 21 = 21W T5 39 = 39W T5 HO (NOMINAL 46") 28 = 28W T5 54 = 54W T5 HO	120 VOLTAGE UNV = 120/277V 120 = 120V 277 = 277V 347 = 347V	PI BALLAST TYPE PG = Electronic T5 Program Start PI = Electronic T5 Instant Start PF = T5 Power Spec Dimming* *Not available in 347V.	Options
---	---	---	-------------------------------------	---	---	---	----------------

OPTIONS/ACCESSORIES
RADIO INTERFERENCE FILTER: 120, 277 or 347 volt, 50 or 60 Hz. SUFFIX: R.
BALLAST OPTIONS: For other ballast options, consult ballast specification sheet (folio BA-1-02)

SPECIFICATIONS

MATERIALS: Chassis parts are die-formed heavy gauge cold rolled steel, 1 3/8" deep x 3 1/8" channel width.
FINISH: Chassis exterior - phosphate undercoating, baked white acrylic matte high reflectance paint finish.

ELECTRIC (type). If K
LABELS:

LIVING SHANGRI LA
 SITE LIGHTING
 TYPE GG1
 DESC SS4 S154T5HO UNI V PG
 LAMP 1 X F54 T5HO
 LOCATION
 LIVE WORK STAMPED METAL PANEL

We reserve the right to change, materials and finish in any way that will not alter installed appearance or reduce function and performance.

CFI FLUORESCENT

CANLITE

525 EDUCATION RD., CORNWALL, ONTARIO K6H 6C7
 TEL.: (613) 938-6221 • FAX: (613) 938-0961



Project : Living Shangri la Site Lighting

Type : HH

Desc : Cash Allowance \$ 1000.

Lamp :

Location L1 Galleria floor lantern



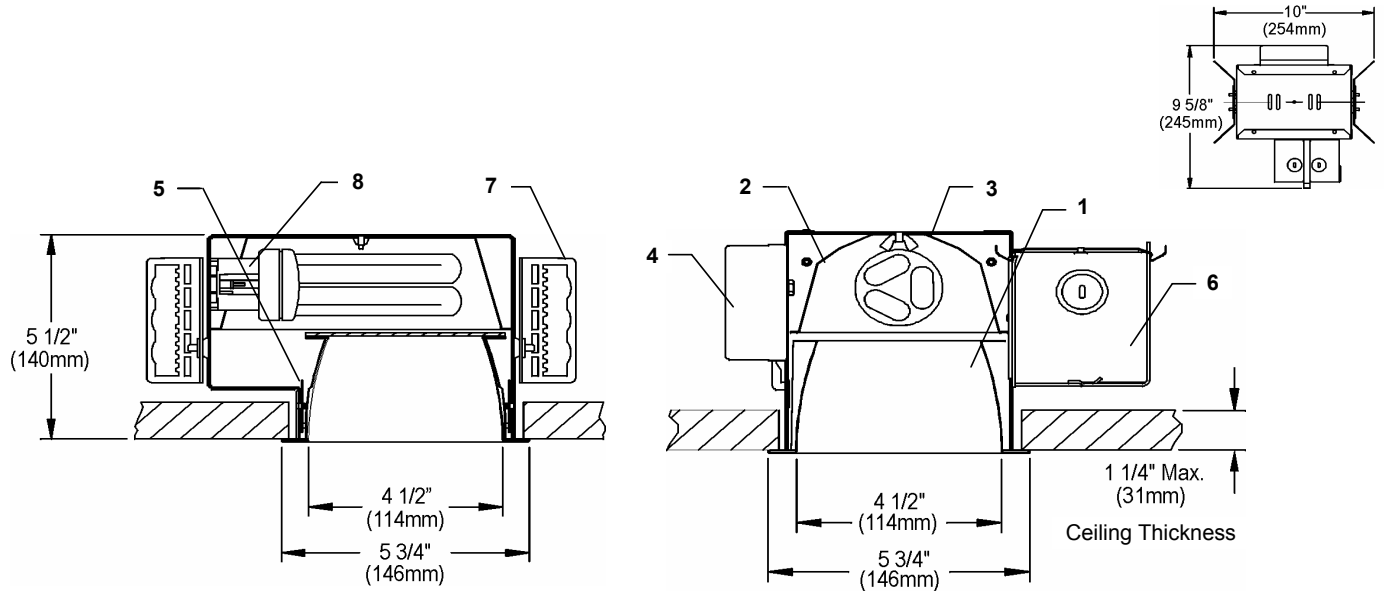
Calculite Matrix CFL Recessed Downlight

4 1/2" Square Aperture Prismatic Lens 1 x TTT Horizontal Lamp

4X4PL

Rev 03-2005

Ceiling Opening: 5 1/8" (130mm) X 5 1/8" (130mm)



Complete fixture consists of Reflector Trim & Frame-in Kit. Select each separately.

Reflector Trim		Non-Dimming Frame	Dimming Frame	Lamp	Base
4X4PLCCLP	Comfort Clear / Polished Flange	4X412632HG120 4X412632HG347	4X412632HCU 4X412632HJ120MX	1-26/32W TTT	GX24q-3
4X4PL Options	Add suffix. See Options for others finishes		4X4126HJ120HL 4X4126HJ120SE 4X4126HJ120TW	1-26W TTT	GX24q-3
			4X4132HJ120HL 4X4132HJ120SE 4X4132HJ120TW	1-32W TTT	GX24q-3

Features

- 1. Reflector Trim:** Pre-finished aluminum with low iridescence clear finish. 55°. Overlap flange prismatic spread lens, 5/32" (4mm) thick tempered glass. Accommodates different ceilings types. Precision mitered flange corners.
- 2. Upper Reflector:** High efficiency, 97%, Specular Clear.
- 3. Housing:** 20ga. Galvanized formed steel. Centerline notches and holes for consistent alignment of multiple fixtures. Accommodates ceilings up to 1 1/4" (31mm) thick.
- 4. Ballast Assembly:** Door-mounted for easy service, allows replacement from inside of fixture.
- 5. Torsionite Springs:** Precision-tooled steel springs secure reflector trim to housing for quick tool-less installation. Positive tension holds flange tight against ceiling.
- 6. Junction Box:** 14 ga. Galvanized steel. Accessible from inside and outside of the fixture. Outside J-box door is hinged for easy access. CSA certified for through branch circuit wiring with maximum of 8 no. 12, 90° C conductors.
- 7. Mounting Brackets:** 16 ga. steel. Use 18" (457 mm) mounting bars (optional) or with standard 3/4" (19 mm), 1-1/2" (38 mm) lathing channels (by others) or 1/2" (13 mm) tubing (by others). Adjust vertically from inside of fixture.
- 8. Socket:** Molded thermoplastic. Pre-wired with 18 ga. SEW leads to junction box.

Labels

CSA certified for damp and wet locations.

Accessories

- 1950** set of 2 Mounting bars 18" (457 mm)
1951 set of 2 Mounting bars 30" (762 mm)
1956 set of 4 T-Bar Anchor Clips

Reflector Options

- For availability, consult your Lightolier representative.
- CCLW** Comfort Clear / White Integral Flange
CCDP Comfort Clear Diffuse / Polished Integral Flange
CCDW Comfort Clear Diffuse / White Integral Flange
CCGP Clear Corrugated / Polished Integral Flange
CLP Specular Clear Alzak / Polished Integral Flange
CLW Specular Clear Alzak / White Integral Flange
WHW White / White Integral Flange

Electrical

- HG** Electronic (HG120 = dual voltage 120/277V)
HCU Dimming PowerSpec (dual voltage 120/277V)
MX Dimming Advance Mark 10 (120V)
HL Dimming Lutron Hi-Lume 1% (120V)
SE Dimming Lutron SE 5% (120V)
TW Dimming Lutron Tu-Wire 5% (120V)

For electrical data, latest lamp / ballast compatibility, see "BALLAST" sheet

LIGHTOLIER®

CANLYTE 3015 Louis Amos Lachine, Qc. H8T 1C4 CANLYTE
 Tel.: (514) 636-0670 - Fax.: (514) 636-0460
 www.canlyte.com

We reserve the right to change details of design, materials and finish.

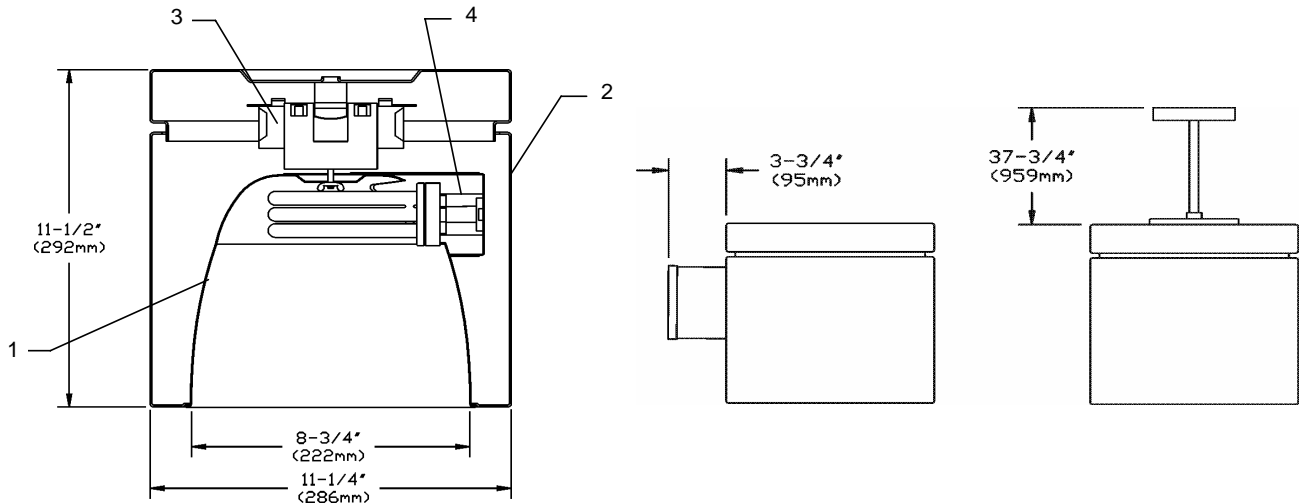
AMERIS IS LIGHTING CORP
LIVING SHANGRI LA
SITE
TYPE KK4
DESC LI TO 4X4PLCCLP / 4X412632B HG 120V
LAMP 1 X PL26 TTT (GX24q-3)
LOCATION LIVE WORK LOBBY SOFFIT

Calculite CFL Surface Downlight

8 3/4" Aperture Surface Drum 2 x TTT Horizontals Lamps

CS82263242HG

Rev 03-2005



Complete fixture consists of Reflector Trim & Frame-in Kit. Select each separately.

Reflector Trim	Non-Dimming Cylinder	Dimming Cylinder	Lamp	Base
8038CL	Specular Clear Alzak	CS82263242HG120-WH	2-26/32W TTT	GX24q-3
8038BK	Specular Black Alzak	CS82263242HG347-WH	2-42W TTT	GX24q-4
8038MG	Black Multi-Groove	CS8226HCU-WH	2-26W TTT	GX24q-3
8038TB	Turbo Baffle	CS8226HJ120MX-WH		
8038FC	Faceted Cone	CS8226HJ120SE-WH		
8038ATW	Arc Turbo White	CS8226HJ120TW-WH		
8038ATG	Arc Turbo Graphite	CS823242HCU-WH	2-32W TTT	GX24q-3
		CS823242HJ120MX-WH	2-42W TTT	GX24q-4
		CS8232HJ120SE-WH	2-32W TTT	GX24q-3
		CS8232HJ120TW-WH		
		CS8242HJ120SE-WH	2-42W TTT	GX24q-4

See Reflector Trim specification sheets for complete informations.

Features

- 1. Reflector Trim:** Refer to standard downlight 8038, 8038TB, 8038FC and 8038AT for complete specifications.
- 2. Housing:** White seamless aluminum with decorative groove designed to minimize visual appearance while providing adequate ventilation to maximise light output.; returned edge precisely seats reflector without visible hardware.
- 3. Electronic Ballast:** Thermally protected class "P" High Power Factor, no visible flicker on starting , internally fused and protection circuit for lamp end of life. Sound rated "A". Designed for removal without tools from inside of fixture for easy field inspection or service replacement.
- 4. Socket:** Molded thermoplastic. Pre-wired with 18 ga. SEW leads.

Labels

CSA ; Suitable for damp location.

Cylinder Options

- BK** Black
- MT** Metal painted
- CW** Wall Bracket: Changed second letter S to W (Ex: CW822632...)
- FA-CSA36** Stem Kit (White); black (BK) or Metal (MT)
(ex. CS822632... / 8038CL / FA-CSA36)

Electrical

- HG** Electronic (HF120 = dual voltage 120/277V)
 - HCU** Dimming PowerSpec (dual voltage 120/277V)
 - MX** Dimming Advance Mark 10 (120V)
 - SE** Dimming Lutron SE 5% (120V)
 - TW** Dimming Lutron Tu-Wire 5% (120V)
- For electrical data, latest lamp / ballast compatibility, see "BALLAST" sheet

LIGHTOLIER®

CANLYTE 3015 Louis Amos Lachine, Qc. H8T 1C4
Tel.: (514) 636-0670 - Fax.: (514) 636-0460
www.canlyte.com

CANLYTE

We reserve the right to change details of design, materials and finish.

Amerisis Lighting Corp.
Project : Living Shangri la Site
Type : KK7
Desc : Lito CS82263242HG 120 MT/8038MG/1951
Lamp : 2 x PL42/3000K (GX24q-4)
Location L1 Soffit

line[™]

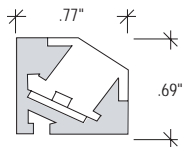
series .75



asymmetric
PATENT PENDING



Beam Spread Options



Power Supply (Driver) Information

Standard Light Output

TYPE	SUPPLIES	REMOTE DISTANCE
24v20w	UP TO 78"	32'-0" (w/18AWG)
24v100w	UP TO 35'-0"	18'-0" (w/18AWG)
	(2) RUNS UP TO 49' WITH (1) RUN NTE 35'-0"	46'-0" (w/14AWG) 71'-0" (w/12AWG)

High Output

TYPE	SUPPLIES	REMOTE DISTANCE
24v100w	UP TO 12'-0"	18'-0" (w/18AWG) 46'-0" (w/14AWG) 71'-0" (w/12AWG)

Amerisis Lighting Corp.
 Project : Living Shangri la Site
 Type : LL2
 Desc : I.O. 410' .75 LINE
 Lamp : LED
 *** note: fixture to be integrated into handrail design ,
 page 1 of 2

Application

io lighting's **line series .75** is approximately .75" x .75" in cross section. UL listed for dry locations, its low profile housing enables functional luminous intensities from "tight" architectural details such as niches, coves, & casework. Similar to halogen light sources, LEDs are point sources that offer superior definition to three dimensional objects and sparkle to reflective surfaces.

series .75 is a low voltage linear accent luminaire that may be ordered in incremental lengths that range from 6" to 96" nominal. The asymmetric beam spread is optimized for a forward throw distribution. 10°, 45°, 65° distributions also available. See dedicated specification sheet for details. Average rated life for **series .75** is 50,000 hours. Lamp lumen depreciation at 50,000 hrs. is 30%.

Light Output

line series .75 is available with two lumen outputs for white light only. Red, green, blue and amber are available in standard output only:

Standard:

- Warm White: 38 lms/ft
- Cool White: 48 lms/ft

High Output:

- Warm White: 127 lms/ft
- Cool White: 145 lms/ft

Refer to light output tables for footcandle values at various distances. IES format files may be obtained from the factory or downloaded from iolighting.com.

Construction

Light weight, yet durable aluminum housing provides recommended heat sink requirements for LEDs. Precision optic is composed of a customized acrylic material that offers very high transmissivity, UV stability, and excellent longevity. **series .75 is UL listed for dry locations only.**

Electrical

Universal 120 or 277 Volt supply required for 24 volt remote driver. 4'-0" 22 AWG, 600 volt TFFN rated power cords are supplied with strain reliefs for both electric feed and connectors (for continuous row application).

Power Consumption

- standard: 2 w/ft
- high output: 8 w/ft

Finish

Anodized aluminum finish is standard. Custom anodized finishes available upon request.





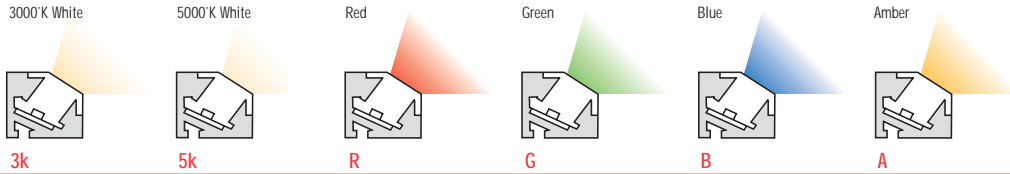
line

series .75

asymmetric

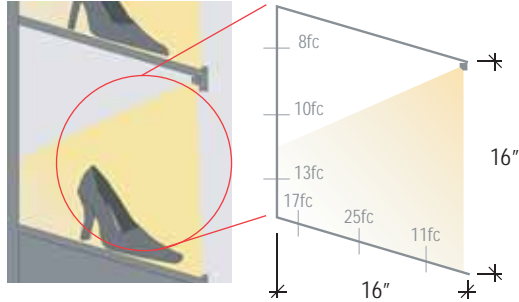
PATENT PENDING

Color Options

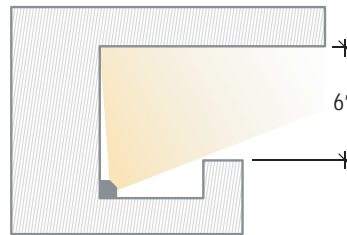


Applications / Light Output

shelf lighting - standard light output



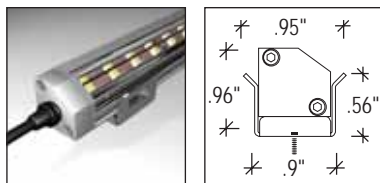
cove lighting



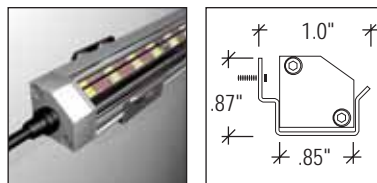
IES format data available at www.iolighting.com

Mounting Options

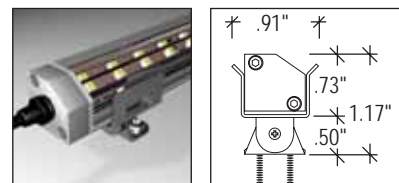
100 surface



101 side surface



102 field adjustable



Electrical End Feed Options

1 right end feed



2 left end feed



3 right back feed



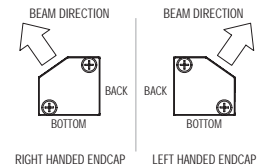
4 left back feed



5 right bottom feed



6 left bottom feed



Order Code

0	03	I	□□□□	□□	□□□□	□	□□	□	□	□
io	Line .75	location	Color	Distribution	Mounting	Finish	Length	Electrical Feed	Voltage/Dimming	Driver Enclosure
		Interior only	3k 3000°K 3kHO 3000°K High Output	90 Asymmetric	100 Surface 101 Side surface 102 Field adjustable	1 Anodized Aluminum 2 Anodized Custom Color	UNITS (actual) 01 6" (6.15") 02 12" (11.84") 03 18" (17.59") 04 24" (23.15") 05 30" (28.84") 06 36" (34.59") 07 42" (40.15") 08 48" (45.84") 09 54" (51.59") 10 60" (57.15") 11 66" (62.84") 12 72" (68.59") 13 78" (79.84") 14 84" (85.59") 15 90" (91.15") 16 96" (96.84")	1 Right end feed 2 Left end feed 3 Right back feed 4 Left back feed 5 Right bottom feed 6 Left bottom feed	1 120v 2 277v 3 120v w/dim 4 277v w/dim 5 other	I Interior Rated N Not Required by io <i>Supplied by others</i>
			5k 5000°K 5kHO 5000°K High Output					FOR CONTINUOUS ROW 1-2 Right end feed Left end feed 3-4 Right back feed Left back feed 5-6 Right bottom feed Left bottom feed		

Amerisis Lighting Corp.
 Project : Living Shangri la Site
 Type : LL2
 Desc : I.O. 410' .75 LINE
 Lamp : LED
 *** note: fixture to be integrated into handrail design , page 2 of 2



4 1/2" Aperture MR16 Lensed Reflector Trim

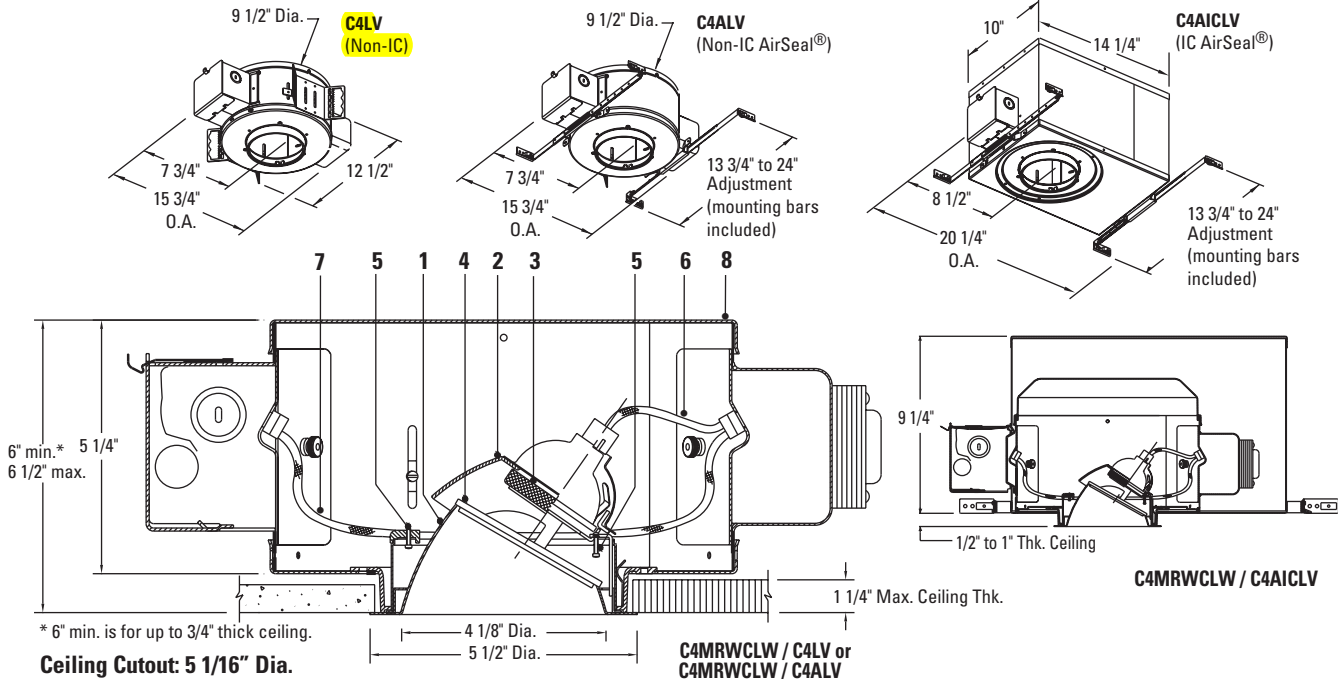
Calulite® Evolution Incandescent Lensed Downlight

C4MRW

01/01

TYPE:

2.2.1
2.2.2



REFLECTOR TRIM

- C4MRW CLW** Specular Clear, White Flange
- C4MRW CLP** Specular Clear, Polished Flange
- C4MRW** Add suffix. See options for other finishes.

FRAME-IN KIT

Non-IC 120/277V	Non-IC AirSeal® 120/277V	IC-AirSeal® 120V
<input type="checkbox"/> C4LV	<input type="checkbox"/> C4ALV	<input type="checkbox"/> C4AICLV
42W - 75W MR16 (12V)	42W - 75W MR16 (12V)	20W - 50W MR16 (12V)

REMODEL FRAME-IN KIT

Non-IC 120V	
<input type="checkbox"/> C4LVRM	See separate specification sheet for more information.
50W Max. MR16 (12V)	

FEATURES

- 1. Aperture Cone:** 16 ga. Alzak® aluminum. Slot cut cone opening minimizes view into fixture. Keyed to lampholder assembly for true aiming of lamp thru aperture center and to prevent incorrect installation of cone. Hinged, and snaps onto adjustable lampholder for easy tool-less installation. Available with painted white or polished flange. Interchangeable with other Evolution 4 1/2" low voltage trims.
- 2. Lampholder Assembly:** Die-cast aluminum. Built-in aperture shield blocks view into fixture. 45° vertical tilt (35° max. with remodel frame-in kit), 360° horizontal rotation are tensioned to hold position. Hot aiming is possible using a phillips screwdriver. Matte black finish. Lamp shield keeps interior of fixture dark.
- 3. Lamp Support:** Die-formed aluminum with knurled surface for easy gripping during relamping. Spring tension clips hold lamp and lens and allow fast snap-in, snap-out relamping. Matte black finish. Accepts up to two 2" dia. accessories.
- 4. Cover Glass:** High temperature, tempered glass. Precisely contours to fit onto cone; replaceable.
- 5. Vertical/Horizontal Locking:** Single screw adjustment; independent locking system.
- 6. Socket Harness:** Porcelain bi-pin socket. Pre-wired with No. 18 teflon® leads to keyed plug-in quick connector.
- 7. Power Harness:** Provides power to transformer, pre-wired with keyed plug-in quick connectors.
- 8. Frame-In Kit:** Compatible frame-In kits are listed above.

*NOTE: For details on Frame-In Kits, see separate specification sheets located in the Accessories / Options section of the Calulite Binder.

FEATURES CONT'D.

Non-IC and Non-IC AirSeal® - Insulation must be kept 3" away from fixture sides and wiring compartments and must not be placed above fixture in a manner which will entrap heat.
IC-AirSeal® - Fixture may be in direct contact with insulation

OPTIONS & ACCESSORIES

Reflector Finishes¹

Comfort Clear Diffuse	CCD
Specular Gold	GD
Specular Black	BK
White	WH

AMERIS LIGHTING CORP

PROJECT : LIVING SHANGRI LA SITE
TYPE : PP
DESC : LI TO C4LVE1RM / C4MR WC LW 1951
LAMP : 1 X 50 MR16/FL, 10,000HR
LOCATION SHANGRI LA MODEL

We reserve the right to change details of design, materials and finish.
U.S. Patent No. 5,957,573. Other U.S. and Foreign Patents Pending.
Alzak® is a registered trademark of The Aluminum Co. of America.

LIGHTING CORP



IVT101

Stainless Steel Vortech Monopoint

Notes: 120V:
 277V:
 Type:



Description:
 The Intense Stainless Steel Vortech series is constructed of 316 Marine grade stainless steel. The 316 Marine grade has superior corrosion resistance. The Vortech Stainless Steel series is cold worked. Also available in white or black powder coated stainless steel.

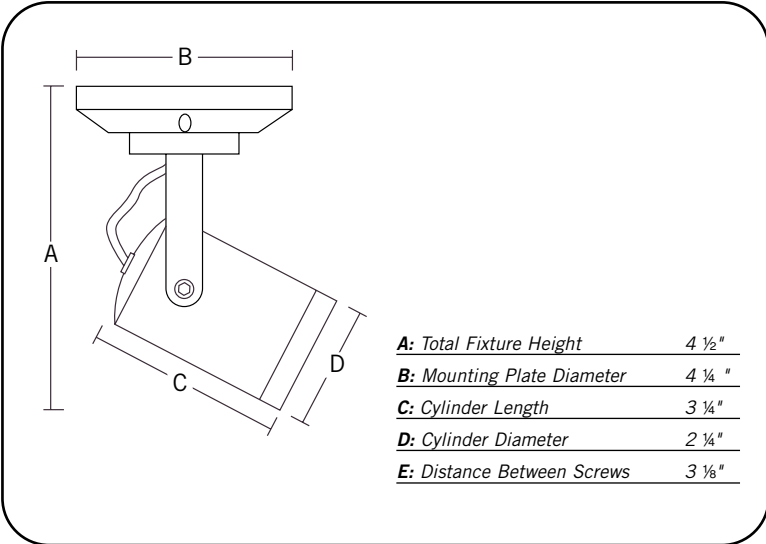
Shielding:
 Lamp covers are gasketed and covered with tempered glass.

- Features:**
- Aesthetic appearance
 - Easy relamping
 - Easy to maintain
 - Impact resistant long life material
 - ETL wet location listed
 - 75W transformer included if specified
 - Indoor / outdoor applications
 - Adjustable locking allen hex screw

Lamps:
 (1) 50W 12V MR16

Electrical:
 Standard 120V. Consult factory for 277V. Fixture is fully gasketed and ETL wet location listed. Fixture may be dimmed with no special modification or specification.

Mounting:
 Fixture mounts to standard 3" octagon junction box.



Available Options	
Catalog #	Description
PL5	MR16 amber lens
PL6	MR16 red lens
PL7	MR16 yellow lens
PL8	MR16 green lens
PL9	MR16 blue lens
PL10	MR16 clear tempered lens
PFL1	MR16 diffuse spread lens
PFL2	MR16 linear spread lens
PFL3	MR16 sand spread lens
PFL6	MR16 soft focus lens
PFL16B	MR16 black louver
PFL16C	MR16 clear louver

Ordering Matrix and Options		
Catalog #	Finish	Options
IVT101	<input type="checkbox"/> ST: stainless steel W: white B: black MO: plated mocha	<input type="checkbox"/> blank: no transformer -TR: 75W transformer

AMERISI SLIGHTING CORP

PROJECT : LIVING SHANGRI LA SITE
 TYPE : PP1
 DESC : INTENSE IVT101 ST TR PFL1
 INTERNAL TRANSFORMER
 LAMP : 1 X 50 MR16/SP, 10,000HR
 LOCATION ROCK NEAR RESTAURANTS





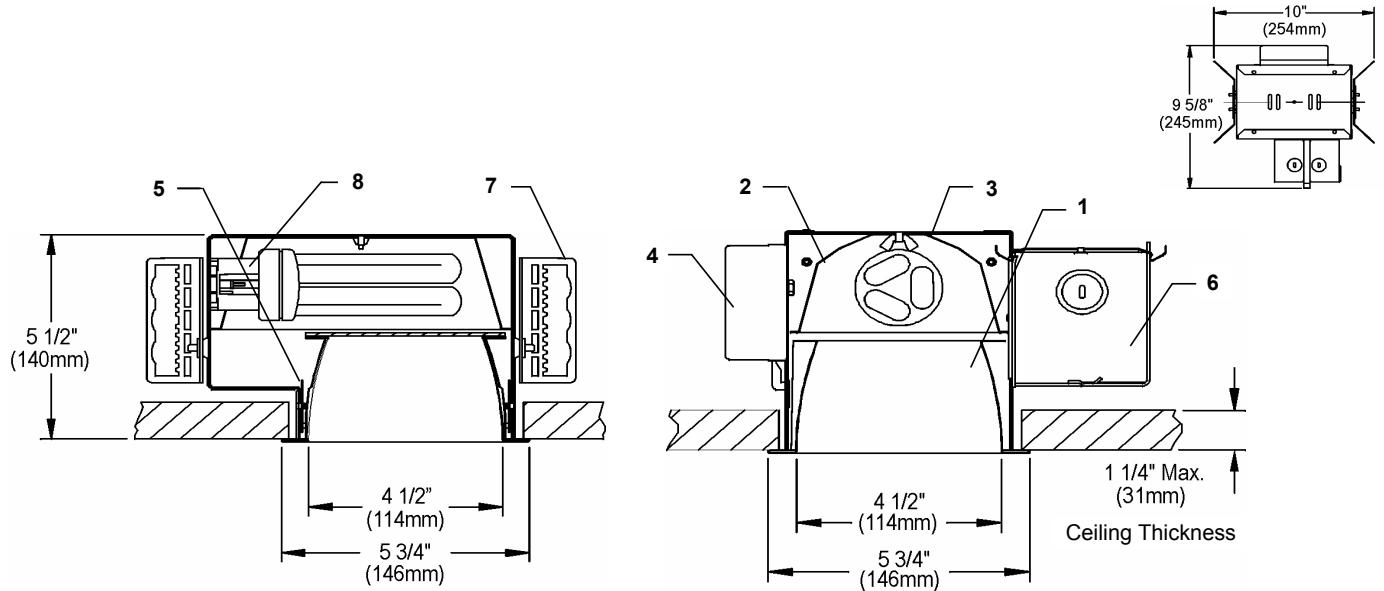
Calculite Matrix CFL Recessed Downlight

4 1/2" Square Aperture Prismatic Lens 1 x TTT Horizontal Lamp

4X4PL

Rev 03-2005

Ceiling Opening: 5 1/8" (130mm) X 5 1/8" (130mm)



Complete fixture consists of Reflector Trim & Frame-in Kit. Select each separately.

Reflector Trim		Non-Dimming Frame	Dimming Frame	Lamp	Base
4X4PLCCLP	Comfort Clear / Polished Flange	4X412632HG120 4X412632HG347	4X412632HCU 4X412632HJ120MX 4X4126HJ120HL 4X4126HJ120SE 4X4126HJ120TW	1-26/32W TTT	GX24q-3
4X4PL Options	Add suffix. See Options for others finishes		4X4132HJ120HL 4X4132HJ120SE 4X4132HJ120TW	1-32W TTT	GX24q-3

Features

- 1. Reflector Trim:** Pre-finished aluminum with low iridescence clear finish. 55°. Overlap flange prismatic spread lens, 5/32" (4mm) thick tempered glass. Accommodates different ceilings types. Precision mitered flange corners.
- 2. Upper Reflector:** High efficiency, 97%, Specular Clear.
- 3. Housing:** 20ga. Galvanized formed steel. Centerline notches and holes for consistent alignment of multiple fixtures. Accommodates ceilings up to 1 1/4" (31mm) thick.
- 4. Ballast Assembly:** Door-mounted for easy service, allows replacement from inside of fixture.
- 5. Torsionite Springs:** Precision-tooled steel springs secure reflector trim to housing for quick tool-less installation. Positive tension holds flange tight against ceiling.
- 6. Junction Box:** 14 ga. Galvanized steel. Accessible from inside and outside of the fixture. Outside J-box door is hinged for easy access. CSA certified for through branch circuit wiring with maximum of 8 no. 12, 90° C conductors.
- 7. Mounting Brackets:** 16 ga. steel. Use 18" (457 mm) mounting bars (optional) or with standard 3/4" (19 mm), 1-1/2" (38 mm) lathing channels (by others) or 1/2" (13 mm) tubing (by others). Adjust vertically from inside of fixture.
- 8. Socket:** Molded thermoplastic. Pre-wired with 18 ga. SEW leads to junction box.

Accessories

- 1950** set of 2 Mounting bars 18" (457 mm)
1951 set of 2 Mounting bars 30" (762 mm)
1956 set of 4 T-Bar Anchor Clips

Reflector Options

- For availability, consult your Lightolier representative.
- CCLW** Comfort Clear / White Integral Flange
CCDP Comfort Clear Diffuse / Polished Integral Flange
CCDW Comfort Clear Diffuse / White Integral Flange
CCGP Clear Corrugated / Polished Integral Flange
CLP Specular Clear Alzak / Polished Integral Flange
CLW Specular Clear Alzak / White Integral Flange
WHW White / White Integral Flange

Electrical

- HG** Electronic (HG120 = dual voltage 120/277V)
HCU Dimming PowerSpec (dual voltage 120/277V)
MX Dimming Advance Mark 10 (120V)
HL Dimming Lutron Hi-Lume 1% (120V)
SE Dimming Lutron SE 5% (120V)
TW Dimming Lutron Tu-Wire 5% (120V)

For electrical data, latest lamp / ballast compatibility, see "BALLAST" sheet

Labels

CSA certified for damp and wet locations.

LIGHTOLIER®

CANLYTE 3015 Louis Amos Lachine, Qc. H8T 1C4
 Tel.: (514) 636-0670 - Fax.: (514) 636-0460
 www.canlyte.com

We reserve the right to change details of design, materials and finish.

AMERISI LIGHTING CORP
 LIVING SHANGRI LA
 SITE
 TYPE R1
 DESC LI TO 4X4PLCCLP / 4X412632B HG 120V
 LAMP 1 X PL26 TTT (GX24q-3)
 LOCATION GRAZING STONE



Project : Living Shangri la Site Lighting

Type : RR

Desc : Cash Allowance \$ 800.

Lamp :

Location CRU building lighting



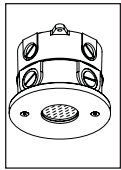
Project : Living Shangri la Site Lighting

Type : RR1

Desc : Cash Allowance \$ 10,000.

Lamp :

Location Art gallery track

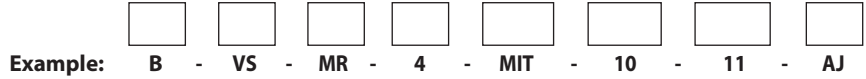


MR16

VERSA STAR™

PROJECT:	
TYPE:	
CATALOG NUMBER:	
LAMP(S):	
NOTES:	

CATALOG NUMBER LOGIC



Material

- Blank** - Aluminum
- B** - Brass
- S** - Stainless Steel

Series

- VS** - Versa Star™

Optics

- MR** - MR16

Lamp

- | | | | |
|--------------------------------|------------------------------------|-----------------------------------|-----------------------------------|
| 0 - By Others | 4 - FRA(35W), 23° N. Flood | 17 - EYP(42W), 40° Flood | 9 - FNV(50W), 60° W. Flood |
| 1 - ESX(20W), 12° Spot | 5 - FMW(35W), 40° Flood | 6 - EXT(50W), 13° Spot | |
| 2 - BAB(20W), 40° Flood | 15 - EYR(42W), 12° Spot | 7 - EXZ(50W), 26° N. Flood | |
| 3 - FRB(35W), 12° Spot | 16 - EYS(42W), 25° N. Flood | 8 - EXN(50W), 40° Flood | |

Finish

Aluminum & Brass Finish

Powder Coat Color	Satin	Wrinkle
Bronze	BZP	BZW
Black	BLP	BLW
White (Gloss)	WHP	WHW
Aluminum	SAP	—
Verde	—	VER

Brass

Machined	MAC
Polished	POL
Mitique™	MIT

Also available in Premium Finishes
See submittal SUB-1439-00 for Premium Finishes

Lens

- 9** - Clear Lens (Standard)
- 10** - Spread Lens
- 12** - Soft Focus Lens
- 13** - Rectilinear Lens

Shielding

- 11** - Honeycomb Baffle

Options

- AJ** - Adjustable Lamp Bracket
- TP** - Thermal Protection (20W Max. Lamp)

LAMP DATA

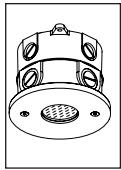
BK No.	Lamp Watts	Description	Rated Life (hrs.)	Center Beam Candlepower	Beam Angle	Beam Type
1	20	ESX	3,000	4,300	12°	Spot
2	20	BAB	3,000	575	40°	Flood
3	35	FRB	4,000	8,000	12°	Spot
4	35	FRA	4,000	2,500	23°	Narrow Flood
5	35	FMW	4,000	1,200	40°	Flood
15	42	EYR	4,000	8,200	12°	Spot
16	42	EYS	4,000	2,850	25°	Narrow Flood
17	42	EYP	4,000			
6	50	EXT	5,000			
7	50	EXZ	5,000			
8	50	EXN	5,000			
9	50	FNV	5,000			

AMERISI S LIGHTING CORP
LIVING SHANGRI LA
SITE
TYPE RR2
DESC BK VERSA STAR VS 0 SAP 9
LAMP 1 X 50 MR16 NFL 10,000
LOCATION RESTAURANT CANOPIES

B-K LIGHTING

40429 Br
54
www.

THIS DOCUMENT CONTAINS PROPRIETARY INFORMATION OF B-K LIGHTING, INC. AND ITS RECEIPT OR POSSESSION DOES NOT
REPRODUCTION, DISCLOSURE OR USE WITHOUT SPECIFIC WRITTEN AUTHORIZATION OF B-K LIGHTING, INC. IS STRICTLY FOR

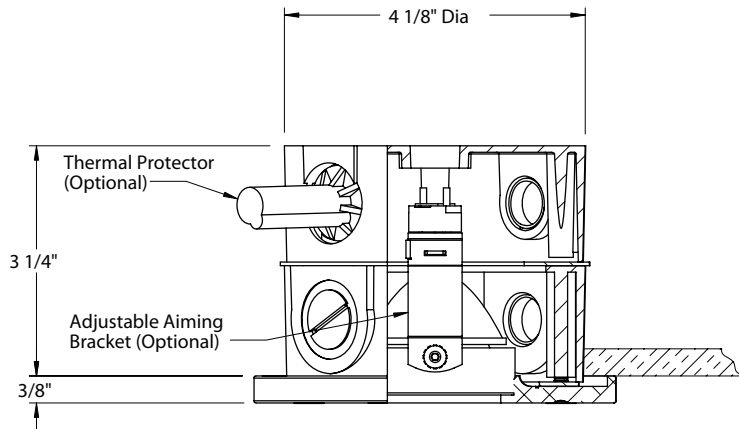


MR16

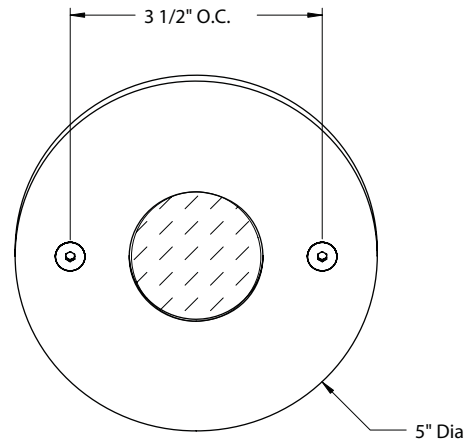
VERSA STAR™

PROJECT:	
TYPE:	

SIDE VIEW



FACEPLATE DETAIL



AMERISIS LIGHTING CORP
 LIVING SHANGRI LA
 SITE
 TYPE RR2
 DESC BK VERSA STAR VS 0 SAP 9
 LAMP 1 X 50 MR16 NFL 10,000
 LOCATION RESTAURANT CANOPIES

SPECIFICATIONS

Back Box

Round, 4-1/4" x 3-1/8" deep, cast aluminum construction with (2) mounting tabs. Front access for wire connection and inspection. Provided with [5] 1/2" NPS tapped holes and [4] plugs. Suitable for concrete pour.

Faceplate

Machined from solid, copper-free aluminum. Also available in solid, machined brass and solid, machined stainless steel. Countersunk holes provide for flush hardware mounting with [2] tamper-resistant, black oxide, stainless steel mounting screws. Stainless steel universal mounting ring for faceplate adjustment and 1/8" thick HT-805A silicone foam gasket with acrylic adhesive for water-tight seal.

Lamp

For use with bi-pin MR16 lamps.

Installation

For use with 50 watt maximum lamp when installed into non-combustible materials or with 20 watt maximum lamp in stud wall construction (requires optional thermal protection).

Transformer

For use with remote transformer.

Lens

Clear, tempered glass lens.

Aiming & Control

Optional adjustable lamp bracket with up to 24° vertical aiming, captive thumb screw and quick release bracket to maintain optical alignment during re-lamping.

Socket

Specification grade, ceramic body, miniature bi-pin quartz lamp holder. GU5.3 base. Nickel alloy contacts and heat resistant, spring loaded, stainless steel lamp retaining clips.

Wiring

Teflon® coated wire, 18AWG, 600V, 250° C rated and certified to UL 1659 standard.

Finish

StarGuard® (Pat. Pend.), an environmentally friendly 15 stage chromate-free process cleans and conversion coats aluminum components prior to application of Class 'A' TGIC polyester powder coating. Brass components are available in powder coat or handcrafted metal finish. Stainless steel components are available in handcrafted metal finish.

Warranty

5 year limited warranty.

Listings

ARL and CSA listed.



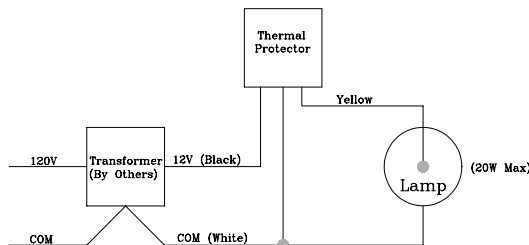
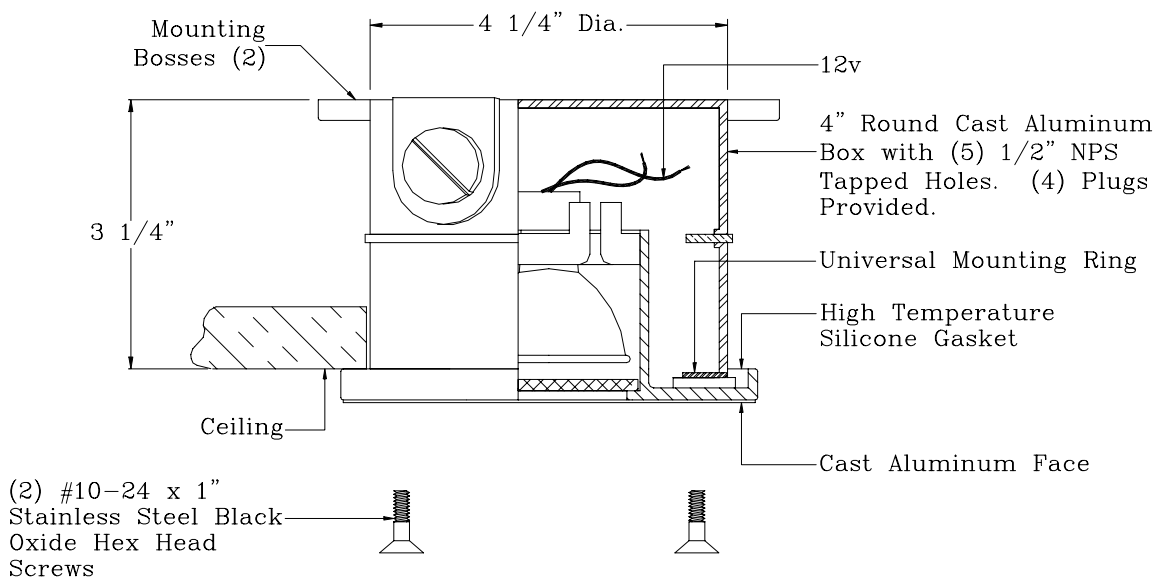
B-K LIGHTING, INC.

40429 Brickyard Drive, Madera, CA 93638. Phone: (559) 438-5800
<http://www.bklighting.com>

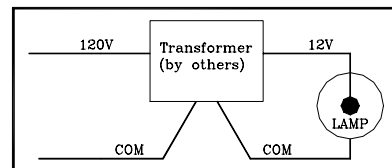
IMPORTANT SAFETY INFORMATION – READ, FOLLOW, AND SAVE ALL SAFETY AND INSTALLATION INSTRUCTIONS

- Product must be installed by a Licensed Electrician in a manner consistent with its intended use, and in compliance with the National Electrical Code, Canadian Electrical Code, and all Local and Provincial Codes.
- Follow product label information and instructions.
- Qualified Personnel must perform all servicing or relamping of this product.
- Before wiring to power supply and during servicing or relamping, turn off power at fuse or circuit breaker before service.
- The use of accessory equipment not recommended by the manufacturer or installed contrary to instructions may cause an unsafe condition. The use of damaged components may cause an unsafe condition and void product warranty.
- Do not block light emanating from product in whole or part, as this may cause an unsafe condition.
- Never operate the fixture with missing or damaged lens. Lens must be cleaned on regular basis.
- Lighted lamp gets hot very quickly. Allow it to cool before replacing lamp.
- Entire fixture may become extremely hot. Do not touch hot lens or fixture body. Do not touch the lamp at any time. Use a clean, dry, soft cloth to handle the lamp. Oil from skin may damage the lamp and cause it to rupture.
- Replace lamp only with correct wattage and type of lamp marked on fixture label.
- All gaskets, o-rings, and sealing surfaces must be kept clean during installation and service; failure to do this may cause an unsafe condition and void product warranty.

VERSA STAR INSTALLATION INSTRUCTIONS



WIRING DIAGRAM (THERMAL PROTECTOR OPTION)



WIRING DIAGRAM

1. Cut 4 3/8" – 4 1/2" diameter hole into non-combustible material. Use mounting bosses on back box for mounting with hardware (by others).
2. Pull circuit conductors for input and allow 8" slack for re-lamping.
3. Connect circuit conductors to 12V wiring from remote transformer using proper wire connectors for the installation (connectors by others).
4. Remove cast aluminum faceplate and install maximum 50W MR16 lamp (20W maximum with thermal protection).
5. Install fixture into core hole and mount with (2) #10-24 x 5/8" stainless steel flat head cap screws with black oxide finish.

INSTALLATION INSTRUCTIONS



Versatile, flexible LED light tubing offering neon-like brightness and uniformity of color and glow. Interior and exterior architectural delineation and unique designs.

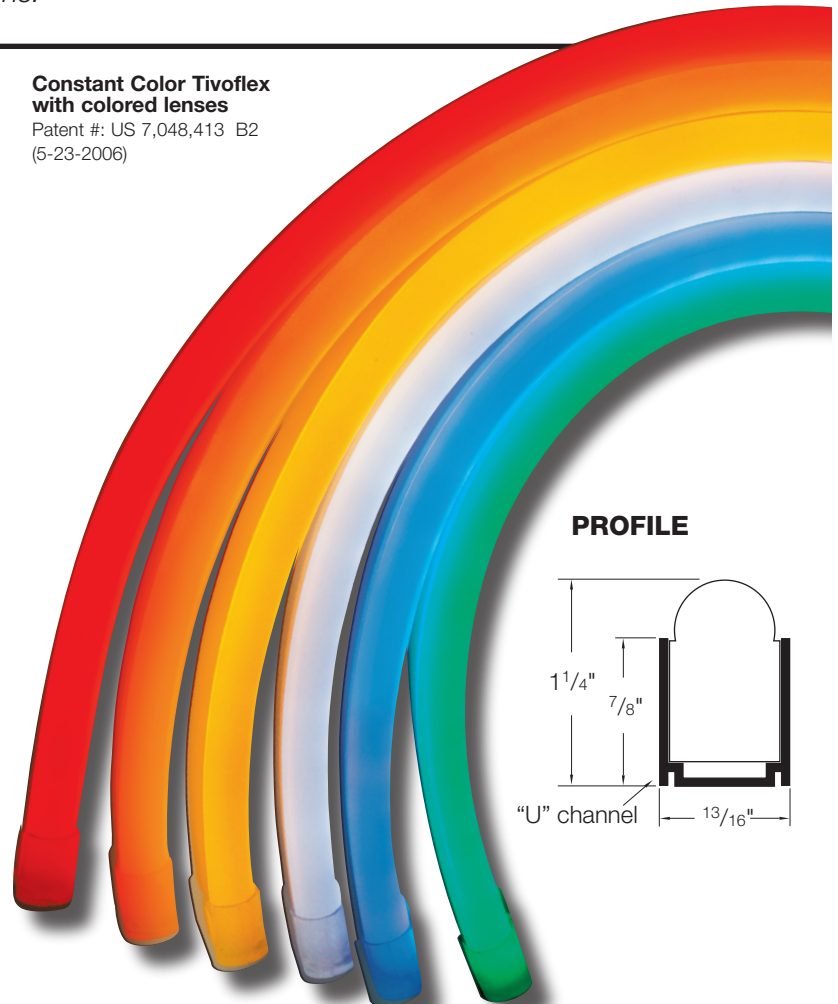
TIVOFLEX™ ACCENT LIGHTING

FEATURES

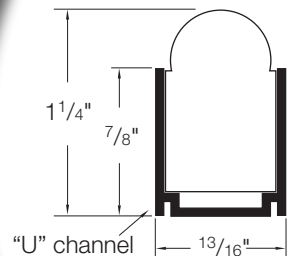
- Can save up to 70% in energy costs over traditional glass neon: 1.44W per linear foot/120V
- Cool-to-touch, low-heat LEDs available in Green, Blue, White, Yellow, Orange, Red
- LED life: 40,000 hours for Blue and White, 100,000 hours for other colors
- LEDs spaced 1/2" apart emit light uniformly
- Oval-shaped flexible plastic lens is field-cutttable and bendable for breakage-free installations; 150-foot rolls
- Lens is available in colored or clear options:
 - Colored lens available in Green, Blue, White, Yellow, Orange, Red to match LED colors for consistent night and day color appearance
 - Clear lens is for brighter highlighting effects for use with White or colored LEDs
- Mounts in aluminum "U" channel
- Channel finishes: standard satin aluminum or custom powder-coated to match building façade
- Installs easily into channels or on flat or curved surfaces like wood, plastic, steel, etc.
- Large variety of connectors for easy and versatile in-field installation options
- Voltage:
 - 120V line-voltage (no transformer required)
 - 24V low-voltage (transformer required)

Constant Color Tivoflex with colored lenses

Patent #: US 7,048,413 B2
(5-23-2006)



PROFILE



LABELS

- UL Listed
- Rated for wet location



ENERGY COST COMPARISON

TIVOFLEX VS. TRADITIONAL GLASS NEON

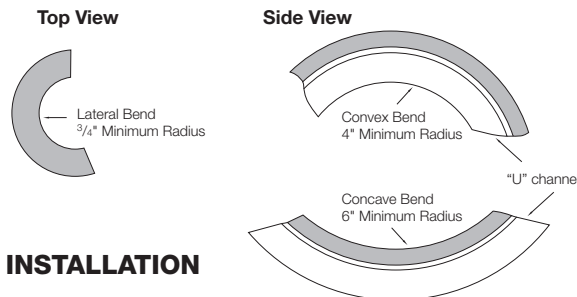
*Tivoflex can save up to 70% or more in energy costs**

REGION	ANNUAL ENERGY COST		ANNUAL SAVINGS	CUMULATIVE SAVINGS	WATTAGE BLUE, GREEN	WATTAGE RED, YELLOW
	GLASS NEON	TIVOFLEX				
USA Midwest (\$0.08/kWh)	\$1,839.60	\$605.40	\$1,234.20	\$12,342 (over 10 years)	2W**	1.44W**

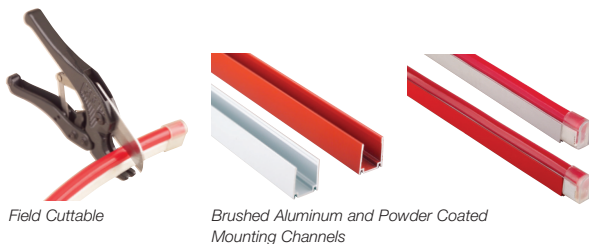
* Based on 300 feet 2.88W/ft. red LED. Energy savings are based on local costs per kilowatt hour, 24 hours/day, 365 days/year. Energy usage: traditional glass neon – 8.75W/ft, TIVOFLEX – 1.44W/ft.

** 120V

MINIMUM BEND RADIUS



INSTALLATION



AMERISIS LIGHTING CORP		LENGTH
LIVING SHANGRI LA		
SITE		
TYPE	TT	18"
DESC	TIVOFLEX TVFX-150-.5-W-120	30"
LAMP	LED INCLUDED	3"
LOCATION	UNDERSIDE OF STAIRS	4"



1550 E. Saint Gertrude Place
Santa Ana, CA 92705

ph 714 957-6101
fx 714 427-3458

www.tivolilighting.com
info@tivolilighting.com

Copyright © 2006 Tivoli 5.06
V2

TIVOFLEX™ ACCENT LIGHTING

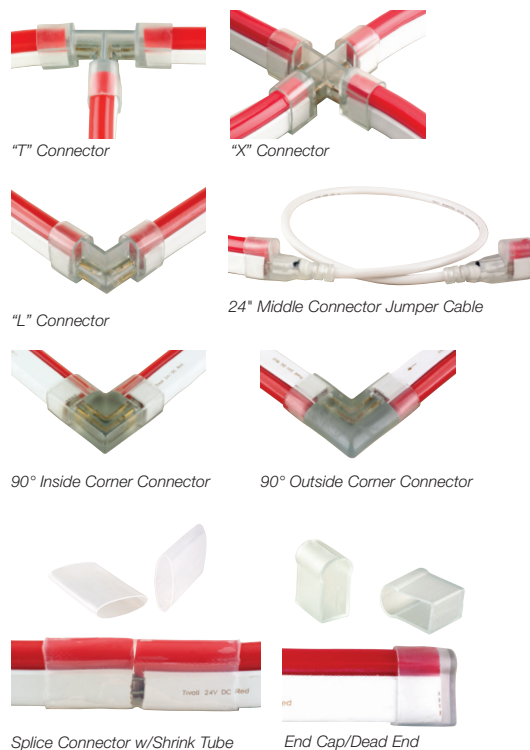


TIVOFLEX ORDERING INFORMATION

DESCRIPTION	CAT. NO.	ROLL LENGTH*	LED SPACING	LED COLOR	VOLTS	WATTS
Tivoflex Constant Color – Line Voltage	TVFC-150-.5-R-120	150'	0.5" O.C.	Red	120V	1.44W per foot
	TVFC-150-.5-Y-120			Yellow		
	TVFC-150-.5-O-120			Orange		
	TVFC-150-.5-G-120	150'	0.5" O.C.	Green	120V	2W per foot
	TVFC-150-.5-B-120			Blue		
TVFC-150-.5-W-120	White					
Tivoflex Constant Color– Low Voltage	TVFC-150-.5-R-24	150'	0.5" O.C.	Red	24V	2.16W per foot
	TVFC-150-.5-Y-24			Yellow		
	TVFC-150-.5-O-24			Orange		
	TVFC-150-.5-G-24	150'	0.5" O.C.	Green	24V	2.4W per foot
	TVFC-150-.5-B-24			Blue		
TVFC-150-.5-W-24	White					
Tivoflex Clear Lens– Line Voltage	TVFX-150-.5-R-120	150'	0.5" O.C.	Red	120V	1.44W per foot
	TVFX-150-.5-Y-120			Yellow		
	TVFX-150-.5-O-120			Orange		
	TVFX-150-.5-G-120	150'	0.5" O.C.	Green	120V	2W per foot
	TVFX-150-.5-B-120			Blue		
TVFX-150-.5-W-120	White					
Tivoflex Clear Lens– Low Voltage	TVFX-150-.5-R-24	150'	0.5" O.C.	Red	24V	2.16W per foot
	TVFX-150-.5-Y-24			Yellow		
	TVFX-150-.5-O-24			Orange		
	TVFX-150-.5-G-24	150'	0.5" O.C.	Green	24V	2.4W per foot
	TVFX-150-.5-B-24			Blue		
TVFX-150-.5-W-24	White					

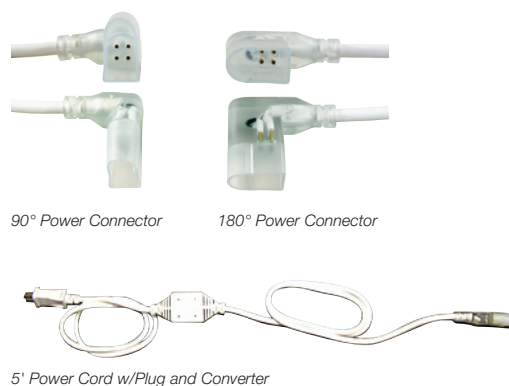
* Specify roll length if different from standard 150'

POWER FEEDS AND CONNECTORS



TIVOFLEX CONNECTOR KITS

DESCRIPTION	CAT. NO.
Low Voltage (24V) 180° Connector Power Cord Kit (1-180° Molded Female Power Connector w/ 5' Cord, 1 Male Pin, 1 End Cap, 1 Splice Connector)	TVFX-CPC24-180
Low Voltage (24V) 90° Connector Power Cord Kit (1-90° Molded Female Power Connector w/ 5' Cord, 1 Male Pin, 1 End Cap, 1 Splice Connector)	TVFX-CPC24-90
Line Voltage (120V) 180° Connector Power Cord Kit (1-180° Molded Female Power Connector w/ 5' Cord, Plug and DC Power Converter, 1 Male Pin, 1 End Cap, 1 Splice Connector)	TVFX-CPC120-180
Line Voltage (120V) 90° Connector Power Cord Kit (1-90° Molded Female Power Connector w/ 5' Cord, Plug and DC Power Converter, 1 Male Pin, 1 End Cap, 1 Splice Connector)	TVFX-CPC120-90



TIVOFLEX INDIVIDUAL CONNECTOR COMPONENTS

DESCRIPTION	CAT. NO.
End Prep Charge (1 Cut Charge per Piece, 1 Power Connector, 1 End Cap)	TVFX-EP
Aluminum Mounting "U" Channel – 6.5' Length	TVFX-CHAN
End Cap for Dead End	TVFX-ENDCAP
Male Connector Pin (used with power feeds)	TVFX-MC
Splice Connector Pin	TVFX-SC
Shrink Tube – 2" x 3.25"	TVFX-ST
Splice Connector Kit (3 Splice Connectors, 3 Shrink Tubes)	TVFX-SCK
24" Middle Connector Jumper Cable with Female Connectors Both Ends, 2 Male Pins	TVFX-JC
90° Inside Corner Connector, 2 Male Pins	TVFX-90-I
90° Outside Corner Connector, 2 Male Pins	TVFX-90-O
"L" Female Connector, 2 Male Pins	TVFX-LC
"X" Female Connector, 2 Male Pins	TVFX-XC
"T" Connector, 2 Male Pins	TVFX-TC

LOW-VOLTAGE TRANSFORMERS

DESCRIPTION	CAT. NO.	WATTAGE	VOLTAGE
Electronic Transformer with secondary short circuit protection	DCT6012024D	60W	120VAC/24VDC
Electronic Transformer – 1-4 Amp Circuit Breaker	T10142D	100W	120VAC/24VDC
Electronic Transformer –	T10342D	240W	120VAC/24VDC

AMERISIS LIGHTING CORP
LIVING SHANGRI LA
SITE
TYPE TT
DESC TIVOFLEX TVFX-150-.5-W-120
LAMP LED INCLUDED
LOCATION UNDERSIDE OF STAIRS



1550 E. Saint Gertrude Place
Santa Ana, CA 92705

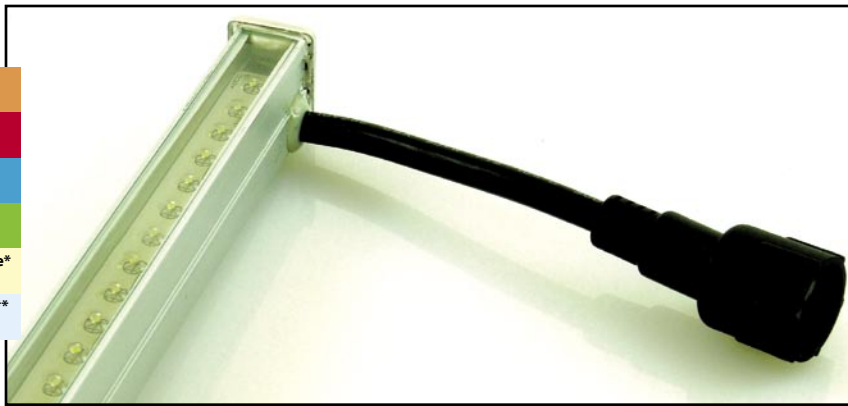
ph 714 957-6101
fx 714 427-3458

www.tivolilighting.com
info@tivolilighting.com

Available LED Colors

- Amber
- Red
- Blue
- Green
- Warm White* (3000K)
- Cool White** (8100K)

Minimum ordering quantities may apply for amber, red, and green single color Jr. Linears.



An approximately 40-inch long, low profile linear fixture for lighting coves, under shelves, and other linear lighting applications.

GENERAL

- **Nominal Color:** Available in 3000K warm white*, 8100K cool white**, blue, green, amber, or red
- **Source:** See IES files: <http://www.lightwild.com/products/literature.asp>
- **Beam Angle:** Self-locking, water-tight 2 pin polarized connector
- **Connectors:** Clip-on brackets allow for direct mounting to surfaces with wood or metal screws.
- **Mounting:** Silver aluminum
- **Housing:** Cables enter side of fixture at both ends
- **Cable Attachment:**

ENVIRONMENTAL

- **Temperature Range:** -10 to 150 F (-25 to 65 C)
- **Moisture Ingress:** Use in dry, damp, or wet locations

CONTROL

- **Options:** LightWild's Jr. Linear can be delivered with 1) simple on/off installation connectivity, 2) pre-set dimming levels and turn on/off times, 3) a wall dial for manual dimming, or 4) connectors for integration into a third party DMX controller. See the Linear Control Unit data sheet for specification instructions.

ELECTRICAL

- **Power Requirement:** 24VDC (Contractor supplies 120/240 VAC to control unit. Control unit includes a transforming power supply that delivers 24VDC to fixture.)
- **Power Consumption:** 7 watts (per fixture)
- **Life of Bulbs:** Under ideal environmental and electrical conditions operating normal effects, LightWild's LEDs are expected to last approximately 50,000 to 80,000 hours according to LED manufacturers. As with all light sources, users can expect a depreciation in brightness during the course of this estimated lifetime. A depreciation in brightness can be expedited by a change in environmental conditions and electrical uses.

* LightWild selects from an LED bin with a range of 2700K-3200K with a goal of matching 3000K for its warm white linear product.

** LightWild selects from an LED bin with a range of 7800K-8300K with a goal of matching 8100K for its cool white linear product.



Clip-on bracket

All content

AMERISI S LIGHTING CORP
LIVING SHANGRI LA
SITE
TYPE TT1
DESC LIGHTWILD LI NEAR JR.
LW-SL320857 3K LENGHT TO SUIT
LAMP LED INCLUDED
LOCATION UNDERBRIDGE

TOP VIEW

39.3125 in

1 FIXTURE SPECIFICATION

ordering example: LW-SL320857-3K

1	Part No.	2	Color
	LW-SL320857		3K 3000K (warm white)
			81K 8100K (cool white)
			B Blue
			G Green
			R Red
			A Amber

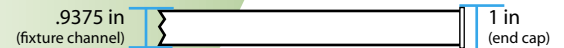
Minimum ordering quantities may apply for the red, green, and amber single color Jr. Linear products. Contact LightWild for information on these three single color products.

2 CONTROL UNIT SPECIFICATION

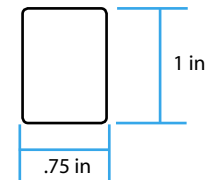
All LightWild Linear installations are controlled by group control, meaning all linear products dim or display the same color and color changes at the same time.

Consult the LightWild Linear Control Units data sheet for control specifications.

SIDE VIEW (section)



END CAP VIEW



www.lightwild.com



Versatile, flexible LED light tubing offering neon-like brightness and uniformity of color and glow. Interior and exterior architectural delineation and unique designs.

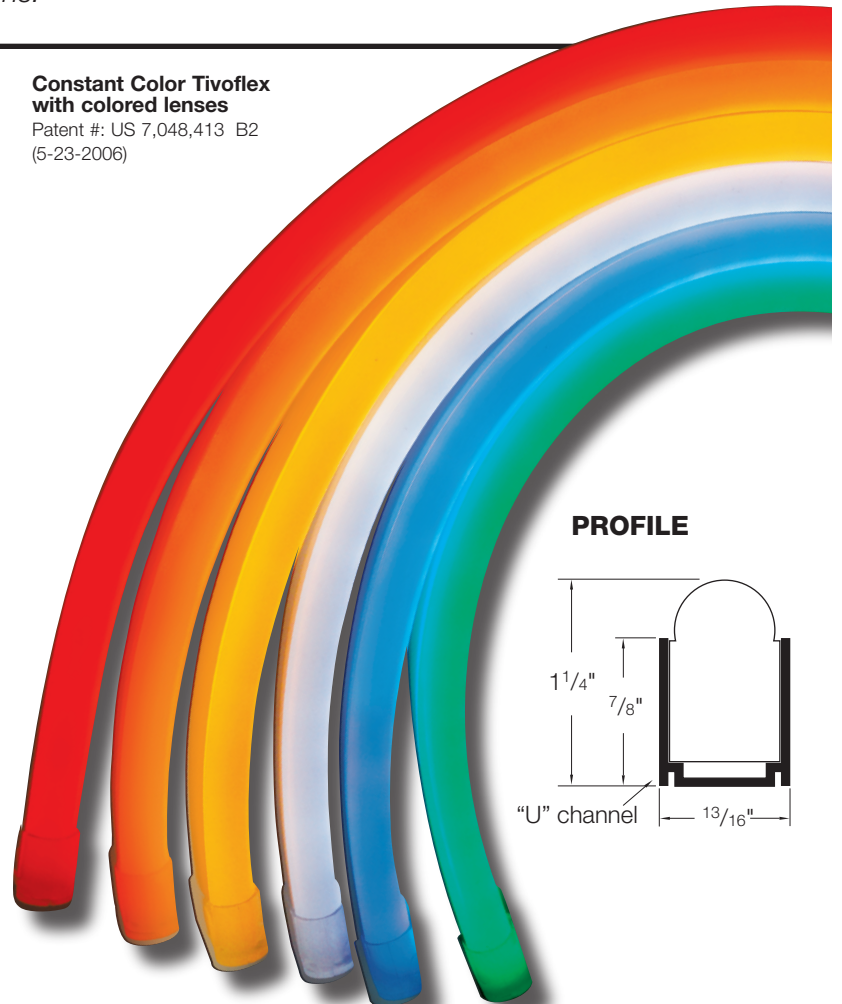
TIVOFLEX™ ACCENT LIGHTING

FEATURES

- Can save up to 70% in energy costs over traditional glass neon: 1.44W per linear foot/120V
- Cool-to-touch, low-heat LEDs available in Green, Blue, White, Yellow, Orange, Red
- LED life: 40,000 hours for Blue and White, 100,000 hours for other colors
- LEDs spaced 1/2" apart emit light uniformly
- Oval-shaped flexible plastic lens is field-cutttable and bendable for breakage-free installations; 150-foot rolls
- Lens is available in colored or clear options:
 - Colored lens available in Green, Blue, White, Yellow, Orange, Red to match LED colors for consistent night and day color appearance
 - Clear lens is for brighter highlighting effects for use with White or colored LEDs
- Mounts in aluminum "U" channel
- Channel finishes: standard satin aluminum or custom powder-coated to match building façade
- Installs easily into channels or on flat or curved surfaces like wood, plastic, steel, etc.
- Large variety of connectors for easy and versatile in-field installation options
- Voltage:
 - 120V line-voltage (no transformer required)
 - 24V low-voltage (transformer required)

Constant Color Tivoflex with colored lenses

Patent #: US 7,048,413 B2
(5-23-2006)



LABELS

- UL Listed
- Rated for wet location



ENERGY COST COMPARISON

TIVOFLEX VS. TRADITIONAL GLASS NEON

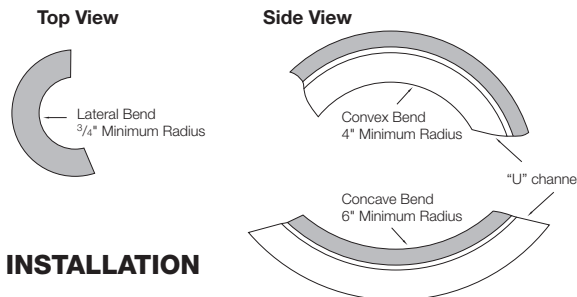
*Tivoflex can save up to 70% or more in energy costs**

REGION	ANNUAL ENERGY COST		ANNUAL SAVINGS	CUMULATIVE SAVINGS	WATTAGE BLUE, GREEN	WATTAGE RED, YELLOW
	GLASS NEON	TIVOFLEX				
USA Midwest (\$0.08/kWh)	\$1,839.60	\$605.40	\$1,234.20	\$12,342 (over 10 years)	2W**	1.44W**

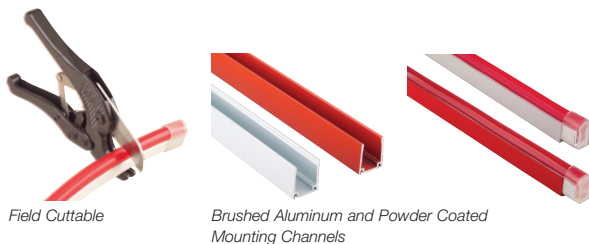
* Based on 300 feet 2.88W/ft. red LED. Energy savings are based on local costs per kilowatt hour, 24 hours/day, 365 days/year. Energy usage: traditional glass neon – 8.75W/ft, TIVOFLEX – 1.44W/ft.

** 120V

MINIMUM BEND RADIUS



INSTALLATION



AMERISI LIGHTING CORP
LIVING SHANGRI LA
SITE
TYPE WW1
DESC TIVOFLEX TVFX-150-.5-B-120
LAMP LED INCLUDED
LOCATION UNDER WATER GARDEN DECK



1550 E. Saint Gertrude Place
Santa Ana, CA 92705

ph 714 957-6101
fx 714 427-3458

www.tivolilighting.com
info@tivolilighting.com

TIVOFLEX™ ACCENT LIGHTING

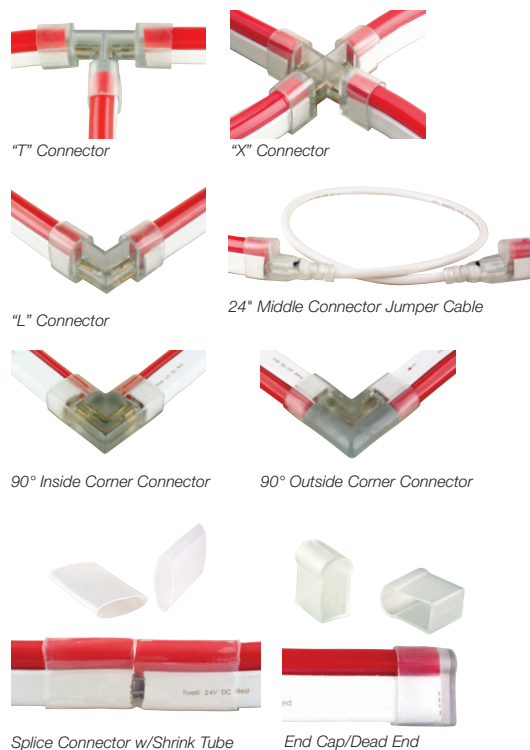


TIVOFLEX ORDERING INFORMATION

DESCRIPTION	CAT. NO.	ROLL LENGTH*	LED SPACING	LED COLOR	VOLTS	WATTS
Tivoflex Constant Color – Line Voltage	TVFC-150-.5-R-120	150'	0.5" O.C.	Red	120V	1.44W per foot
	TVFC-150-.5-Y-120			Yellow		
	TVFC-150-.5-O-120			Orange		
	TVFC-150-.5-G-120	150'	0.5" O.C.	Green	120V	2W per foot
	TVFC-150-.5-B-120			Blue		
TVFC-150-.5-W-120	White					
Tivoflex Constant Color– Low Voltage	TVFC-150-.5-R-24	150'	0.5" O.C.	Red	24V	2.16W per foot
	TVFC-150-.5-Y-24			Yellow		
	TVFC-150-.5-O-24			Orange		
	TVFC-150-.5-G-24	150'	0.5" O.C.	Green	24V	2.4W per foot
	TVFC-150-.5-B-24			Blue		
TVFC-150-.5-W-24	White					
Tivoflex Clear Lens– Line Voltage	TVFX-150-.5-R-120	150'	0.5" O.C.	Red	120V	1.44W per foot
	TVFX-150-.5-Y-120			Yellow		
	TVFX-150-.5-O-120			Orange		
	TVFX-150-.5-G-120	150'	0.5" O.C.	Green	120V	2W per foot
	TVFX-150-.5-B-120			Blue		
TVFX-150-.5-W-120	White					
Tivoflex Clear Lens– Low Voltage	TVFX-150-.5-R-24	150'	0.5" O.C.	Red	24V	2.16W per foot
	TVFX-150-.5-Y-24			Yellow		
	TVFX-150-.5-O-24			Orange		
	TVFX-150-.5-G-24	150'	0.5" O.C.	Green	24V	2.4W per foot
	TVFX-150-.5-B-24			Blue		
TVFX-150-.5-W-24	White					

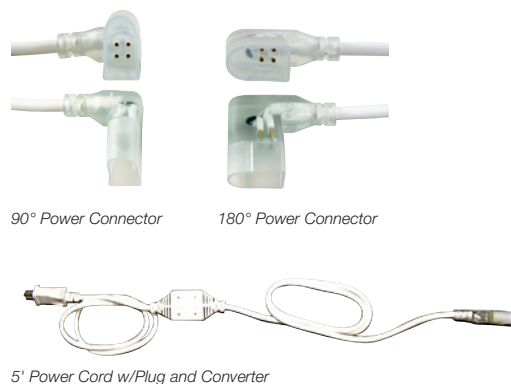
* Specify roll length if different from standard 150'

POWER FEEDS AND CONNECTORS



TIVOFLEX CONNECTOR KITS

DESCRIPTION	CAT. NO.
Low Voltage (24V) 180° Connector Power Cord Kit (1-180° Molded Female Power Connector w/ 5' Cord, 1 Male Pin, 1 End Cap, 1 Splice Connector)	TVFX-CPC24-180
Low Voltage (24V) 90° Connector Power Cord Kit (1-90° Molded Female Power Connector w/ 5' Cord, 1 Male Pin, 1 End Cap, 1 Splice Connector)	TVFX-CPC24-90
Line Voltage (120V) 180° Connector Power Cord Kit (1-180° Molded Female Power Connector w/ 5' Cord, Plug and DC Power Converter, 1 Male Pin, 1 End Cap, 1 Splice Connector)	TVFX-CPC120-180
Line Voltage (120V) 90° Connector Power Cord Kit (1-90° Molded Female Power Connector w/ 5' Cord, Plug and DC Power Converter, 1 Male Pin, 1 End Cap, 1 Splice Connector)	TVFX-CPC120-90



TIVOFLEX INDIVIDUAL CONNECTOR COMPONENTS

DESCRIPTION	CAT. NO.
End Prep Charge (1 Cut Charge per Piece, 1 Power Connector, 1 End Cap)	TVFX-EP
Aluminum Mounting "U" Channel – 6.5' Length	TVFX-CHAN
End Cap for Dead End	TVFX-ENDCAP
Male Connector Pin (used with power feeds)	TVFX-MC
Splice Connector Pin	TVFX-SC
Shrink Tube – 2" x 3"	
Splice Connector Kit	
24" Middle Connector	
90° Inside Corner Connector	
90° Outside Corner Connector	
"L" Female Connector	
"X" Female Connector	
"T" Connector, 2 Male	

AMERISIS LIGHTING CORP
LIVING SHANGRI LA
SITE
TYPE WW1
DESC TIVOFLEX TVFX-150-.5-B-120
LAMP LED INCLUDED
LOCATION UNDER WATER GARDEN DECK

LOW-VOLTAGE TRANSFORMERS

DESCRIPTION	CAT. NO.	WATTAGE	VOLTAGE
Electronic Transformer with secondary short circuit protection	DCT6012024D	60W	120VAC/24VDC
Electronic Transformer – 1-4 Amp Circuit Breaker	T10142D	100W	120VAC/24VDC
Electronic Transformer – 3-4 Amp Circuit Breaker	T10342D	240W	120VAC/24VDC



1550 E. Saint Gertrude Place
Santa Ana, CA 92705

ph 714 957-6101
fx 714 427-3458

www.tivoliighting.com
info@tivoliighting.com

Copyright © 2006 Tivoli 5.06
V2